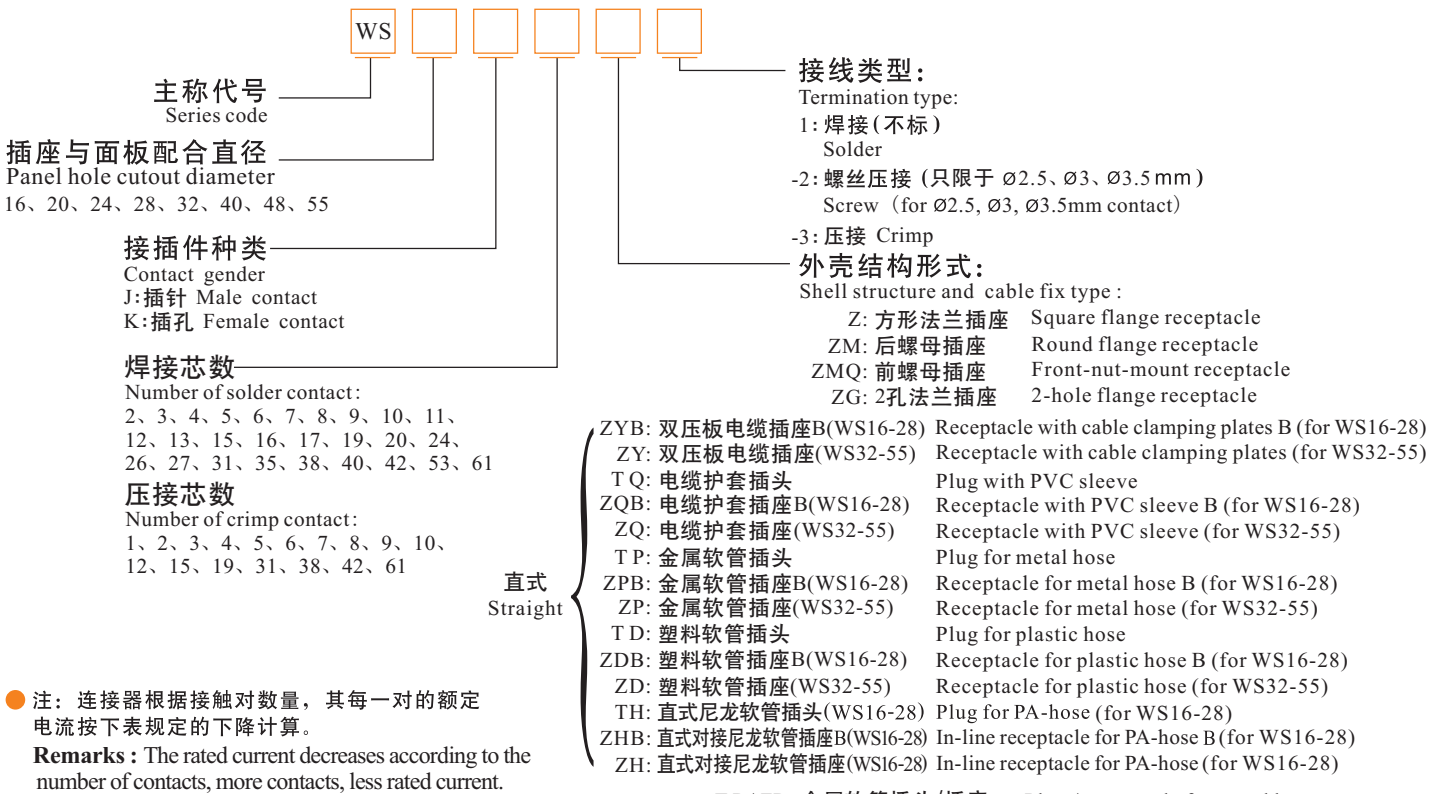






● WS系列 WS Series

型号 Part number system



● 注: 连接器根据接触对数量, 其每一对的额定电流按下表规定的下降计算。
Remarks: The rated current decreases according to the number of contacts, more contacts, less rated current.

接触对芯数 Number of contact	1~3	4~10	11~20	21~30	31~40	41~50	51~61
下降率 (%) Rated current decrease rate	0	10	20	30	40	50	60

★接触件可以是插针或插孔
Each side can be male or female contact

★焊接芯件参数表在P19页>>
Solder contact spec see page P19

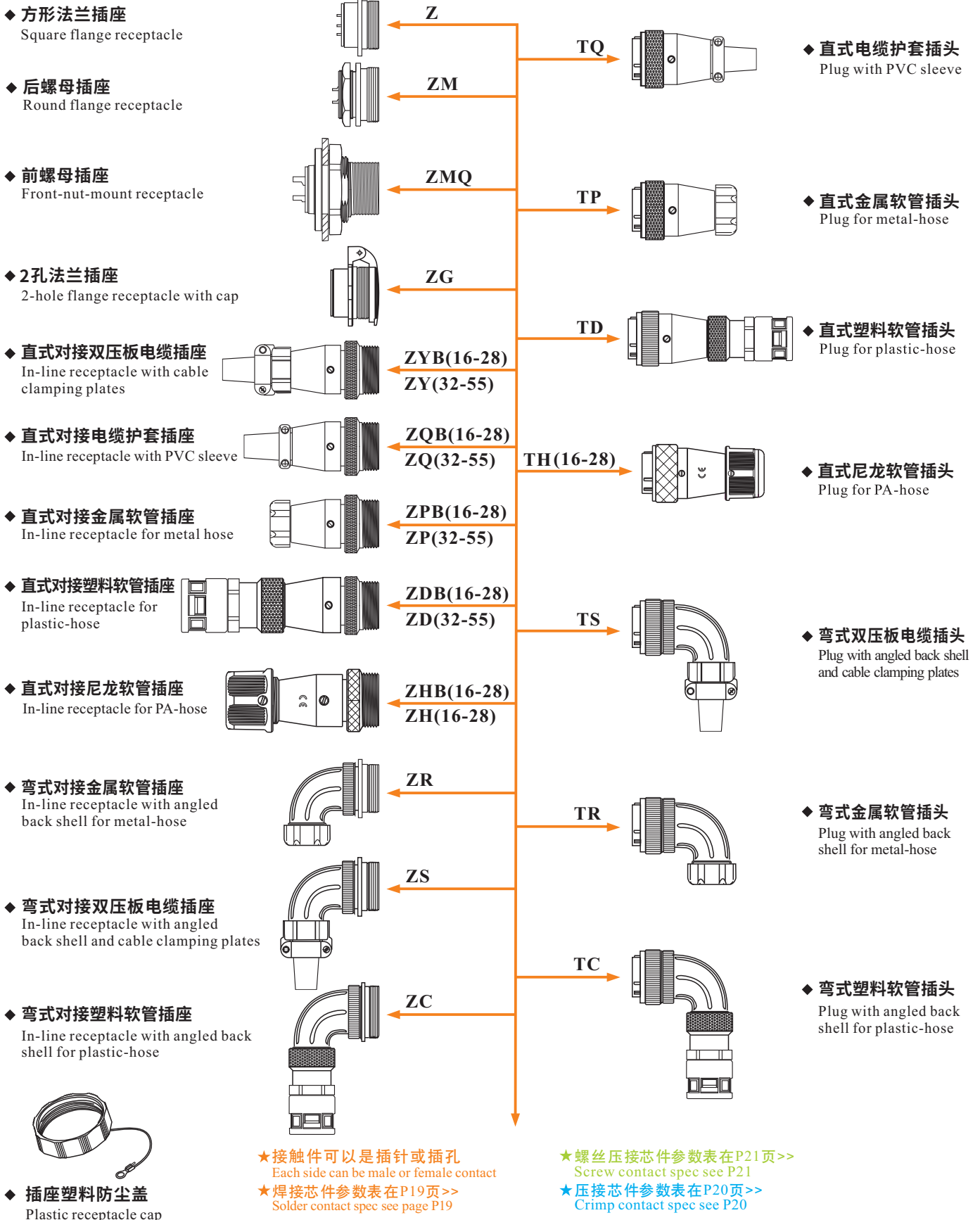
★螺丝压接芯件参数表在P21页>>
Screw contact spec see P21

★压接芯件参数表在P20页>>
Crimp contact spec see P20

材料和技术参数 Material and spec

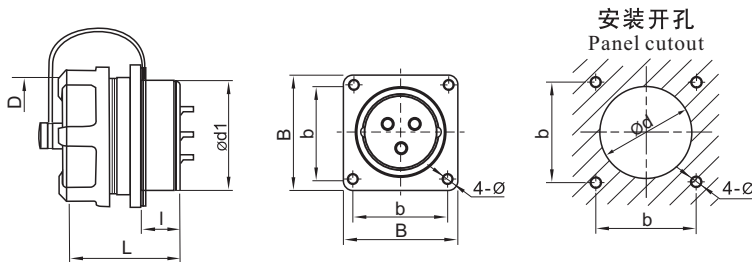
接插方式 Coupling	螺纹连接 Threaded
外壳材料 Shell material	锌合金(镀铬) Zinc alloy with chrome plating
绝缘体 Insert material	热塑性塑料PPS 耐高温 260℃ PPS, max temperature 260 °C
接触件材料 Contact material	铜(镀金) Brass with gold plating
接线方式 Termination	焊接: $\varnothing 1$ 、 $\varnothing 1.5$ 、 $\varnothing 2.5$ 、 $\varnothing 3.5$ 、 $\varnothing 5.5$ mm; 螺丝压接: $\varnothing 2.5$ 、 $\varnothing 3$ 、 $\varnothing 3.5$ mm; 压接: $\varnothing 1$ 、 $\varnothing 1.5$ 、 $\varnothing 2.5$ 、 $\varnothing 3.5$ 、 $\varnothing 5.5$ 、 $\varnothing 10$ mm Solder: $\varnothing 1$, $\varnothing 1.5$, $\varnothing 2.5$, $\varnothing 3.5$, $\varnothing 5.5$ mm; Screw: $\varnothing 2.5$, $\varnothing 3$, $\varnothing 3.5$ mm; Crimp: $\varnothing 1$, $\varnothing 1.5$, $\varnothing 2.5$, $\varnothing 3.5$, $\varnothing 5.5$, $\varnothing 10$ mm
接插次数 Mating cycle	500
温度范围 Temperature range	-40℃~+85℃

WS系列配套表 WS Series Mating diagram



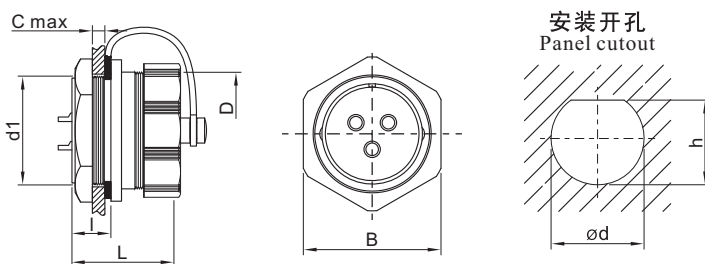


● 方形法兰插座: Z Square flange mount receptacle: Z



尺寸 Dimension(mm)	WS16	WS20	WS24	WS28	WS32	WS40	WS48	WS55
ød1	15.8	19.8	23.8	27.8	31.8	39.8	47.8	54.8
D	M18X1	M22X1	M26X1	M30X1	M35X1.5	M44X1.5	M52X1.5	M59X1.5
l	9.7	10	10	10	14.4	14.2	14.2	14
L	21.6	23	23	23	34	34	34	34
b	20	22	26	30	32	40	48	52
B	26	29	32	36	42	50	58	64
ød	16.5	20.5	24.5	28.5	32.5	40.5	48.5	55.5
ø	3.2	3.2	3.2	3.2	3.5	4.5	4.5	4.5

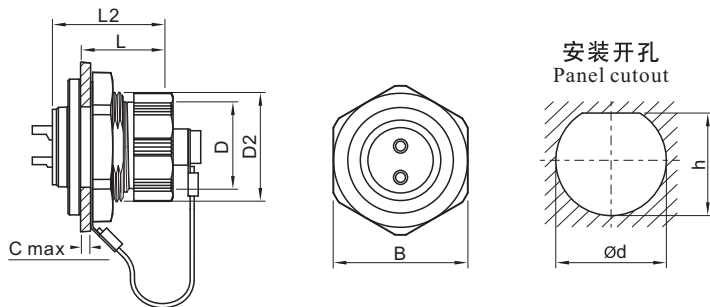
● 后螺母插座: ZM Round flange receptacle: ZM



尺寸 Dimension(mm)	WS16	WS20	WS24	WS28
d1	M16X1	M20X1	M24X1	M28X1
D	M18X1	M22X1	M26X1	M30X1
C	5	5	5	5
l	9.7	9.9	10	10.2
L	22	23	23	23
B	21.2	25.5	29.2	33.3
ød	15.7	19.7	23.7	27.7
h	15.3	19.3	23.2	26.9

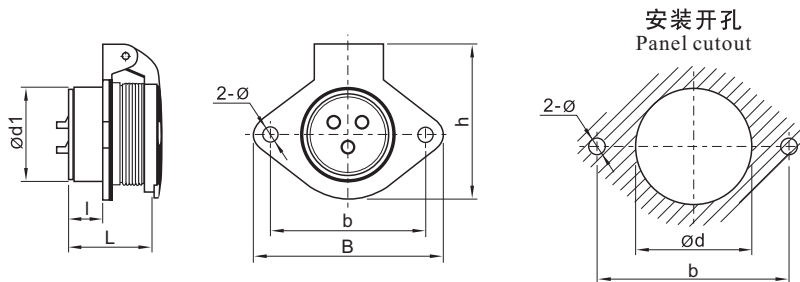


● 前螺母插座: ZMQ Front-nut-mount receptacle: ZMQ



尺寸 Dimension(mm)	WS16	WS20	WS24	WS28
øD	M18X1	M22X1	M26X1	M30X1
D2	M22X1	M26X1	M30X1	M34X1
L	16	17	17	17
L2	21.6	23	23	23
C	5	5	5	5
B	26.8	30.8	34.8	38.8
ød	22	26	30	34
h	20.6	24.6	28.6	32.6

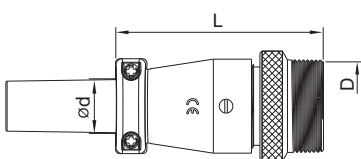
● 2孔法兰插座: ZG 2-hole flange receptacle with cap: ZG



尺寸 Dimension(mm)	WS16	WS20	WS24	WS28	WS32	WS40	WS48	WS55
ød1	15.8	19.8	23.8	27.8	31.8	39.8	47.8	54.8
l	10	10	10	10	15.4	14.7	14.3	14
L	22	23	23	23	34	34	34	34
b	30	35	40	45	55	65	80	85
B	38	44	50	55	67	77	92	98
h	32.5	36.5	40.5	45.5	52.5	63.5	74.5	80
ød	16.5	20.5	24.5	28.5	32.5	40.5	48.5	55.5
ø	3.5	4.5	4.5	4.5	5.5	5.5	5.5	6.5



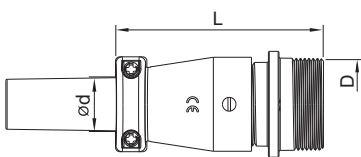
● 直式对接电缆护套插座B: ZQB In-line receptacle with PVC sleeve B: ZQB



尺寸 Dimension(mm)	WS16	WS20	WS24	WS28
D	M18X1	M22X1	M26X1	M30X1
L	44.5	49	53	55
ød max	10.5	13	13.5	17.5

护盖可选购尺寸见P18 >> Optional cap size see P18
 电缆护套尺寸见P18 >> PVC sleeve dimension see P18

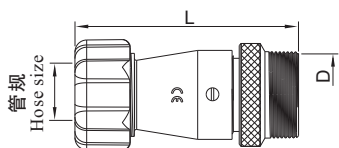
● 直式对接电缆护套插座: ZQ In-line receptacle with PVC sleeve: ZQ



尺寸 Dimension(mm)	WS32	WS40	WS48	WS55
D	M35X1.5	M44X1.5	M52X1.5	M59X1.5
L	70.5	76.5	85	97.5
ød max	21.5	26	26	32

护盖可选购尺寸见P18 >> Optional cap size see P18
 电缆护套尺寸见P18 >> PVC sleeve dimension see P18

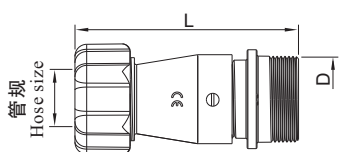
● 直式对接金属软管插座B: ZPB In-line receptacle for metal-hose B: ZPB



尺寸 Dimension(mm)	WS16	WS20	WS24	WS28
D	M18X1	M22X1	M26X1	M30X1
L	50	57.5	60.5	64.5
管规 Hose size	1/4"	3/8"	3/8"	1/2"

护盖可选购尺寸见P18 >> Optional cap size see P18

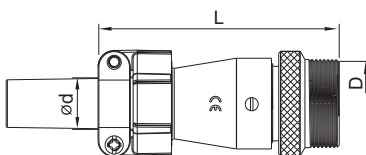
● 直式对接金属软管插座: ZP In-line receptacle for metal-hose: ZP



尺寸 Dimension(mm)	WS32	WS40	WS48	WS55
D	M35X1.5	M44X1.5	M52X1.5	M59X1.5
L	80	87	97	113
管规 Hose size	3/4"	1"	I: 1" (不标) II: 1 1/4"	1 1/4"

护盖可选购尺寸见P18 >> Optional cap size see P18

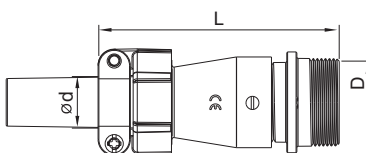
● 直式对接双压板电缆插座B: ZYB In-line receptacle with cable clamping plates B: ZYB



尺寸 Dimension(mm)	WS16	WS20	WS24	WS28
D	M18X1	M22X1	M26X1	M30X1
L	50.5	60.5	63.5	69
ød max	10.4	13.5	13.5	17

护盖可选购尺寸见P18 >> Optional cap size see P18
 电缆护套尺寸见P18 >> PVC sleeve dimension see P18

● 直式对接双压板电缆插座: ZY In-line receptacle with cable clamping plates: ZY

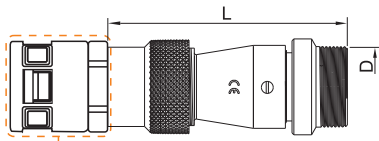


尺寸 Dimension(mm)	WS32	WS40	WS48	WS55
D	M35X1.5	M44X1.5	M52X1.5	M59X1.5
L	86	95	102	117.5
ød max	19	25	I: 24 (不标) II: 32	32

护盖可选购尺寸见P18 >> Optional cap size see P18
 电缆护套尺寸见P18 >> PVC sleeve dimension see P18



● 直式对接塑料软管插座 B: ZDB In-line receptacle for plastic-hose B: ZDB

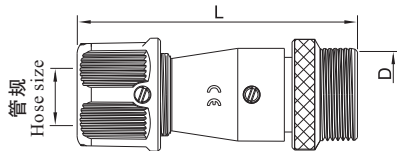


塑料软管接头可选购
Optional plastic hose adapter

尺寸 Dimension(mm)	WS16	WS20	WS24	WS28
D	M18X1	M22X1	M26X1	M30X1
L	55.5	64.5	69	75.5
接头规格 Adapter size	PG7	PG11	PG11	PG16
适配软管接头 model of plastic hose adapter	WQG-PG7(B)	WQG-PG11(B)	WQG-PG11(B)	WQG-PG16(B)
管规 Hose size	AD10	AD15.8	AD15.8	AD21.2

护盖可选购尺寸见P18 >> Optional cap size see P18

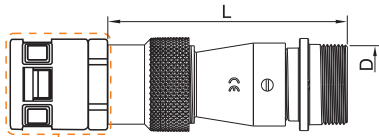
● 直式对接尼龙软管插座 B: ZHB In-line receptacle for PA-hose B: ZHB



尺寸 Dimension(mm)	WS16	WS20	WS24	WS28
D	M18X1	M22X1	M26X1	M30X1
L	52.6	63	67	71
管规 Hose size	AD10	AD15.8	AD15.8	AD21.2

护盖可选购尺寸见P18 >> Optional cap size see P18

● 直式对接塑料软管插座: ZD In-line receptacle for plastic-hose: ZD

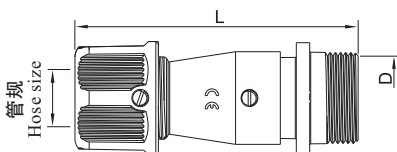


塑料软管接头可选购
Optional plastic hose adapter

尺寸 Dimension(mm)	WS32	WS40	WS48	WS55
D	M35X1.5	M44X1.5	M52X1.5	M59X1.5
L	89.5	96.5	105	119.5
接头规格 Adapter size	PG21	PG29	I: PG29(不标) II: PG36	PG36
适配软管接头 model of plastic hose adapter	WQG-PG21(B)	WQG-PG29(B)	I: WQG-PG29(B) II: WQG-PG36(B)	WQG-PG36(B)
管规 Hose size	AD28.5	AD34.5	I: AD34.5(不标) II: AD42.5	AD42.5

护盖可选购尺寸见P18 >> Optional cap size see P18

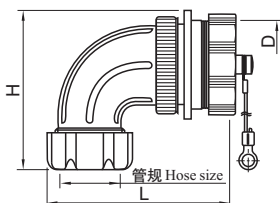
● 直式对接尼龙软管插座: ZH In-line receptacle for PA-hose: ZH



尺寸 Dimension(mm)	WS16	WS20	WS24	WS28
D	M18X1	M22X1	M26X1	M30X1
L	55	61	66	70
管规 Hose size	AD10	AD15.8	AD15.8	AD21.2

护盖可选购尺寸见P18 >> Optional cap size see P18

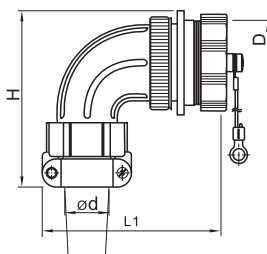
● 弯式对接金属软管插座: ZR In-line receptacle with angled back shell for metal-hose: ZR



尺寸 Dimension(mm)	WS20	WS24	WS28	WS32	WS40	WS48	WS55
D	M22X1	M26X1	M30X1	M35X1.5	M44X1.5	M52X1.5	M59X1.5
L	61	60.5	64.5	83.5	90.5	97	114.5
H	48	51.5	52	63.5	74.5	85	98
管规 Hose size	3/8"	3/8"	1/2"	3/4"	1"	1"	1 1/4"

护盖可选购尺寸见P18 >> Optional cap size see P18

● 弯式对接双压板电缆插座: ZS In-line receptacle with angled back shell and cable clamping plates: ZS

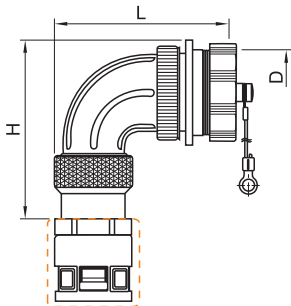


尺寸 Dimension(mm)	WS20	WS24	WS28	WS32	WS40	WS48	WS55
D	M22X1	M26X1	M30X1	M35X1.5	M44X1.5	M52X1.5	M59X1.5
L	60.5	60.5	64.5	82	89	95.5	114
H	56.5	57	63.5	72	83.5	94.5	112.5
ød max	13.5	13	17	19	23	24	32

护盖可选购尺寸见P18 >> Optional cap size see P18



● **弯式对接塑料软管插座：ZC** In-line receptacle with angled back shell for plastic-hose: ZC

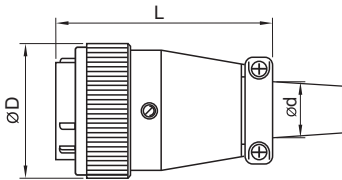


塑料软管接头可选购
Optional plastic hose adapter

尺寸 Dimension(mm)	WS20	WS24	WS28	WS32	WS40	WS48	WS55
D	M22X1	M26X1	M30X1	M35X1.5	M44X1.5	M52X1.5	M59X1.5
L	60	61	63	82	88.5	95	112
H	58	60	65	75.5	83	95.5	104
接头规格 Adapter size	PG11	PG11	PG16	PG21	PG29	PG29	PG36
适配软管接头 model of plastic hose adapter	WQG-PG11(B)	WQG-PG11(B)	WQG-PG16(B)	WQG-PG21(B)	WQG-PG29(B)	WQG-PG29(B)	WQG-PG36(B)
管规 Hose size	AD15.8	AD15.8	AD21.2	AD28.5	AD34.5	AD34.5	AD42.5

护盖可选购尺寸见P18 >> Optional cap size see P18

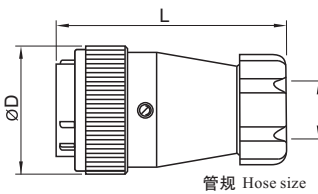
● **直式电缆护套插头：TQ** Plug with PVC sleeve: TQ



尺寸 Dimension(mm)	WS16	WS20	WS24	WS28	WS32	WS40	WS48	WS55
ØD	21.5	26	30	34	39.5	49.5	57	64.5
L	44	49	53	55	69	76	85	97
ød max	10.5	13	13.5	17.5	21.5	26	26	32

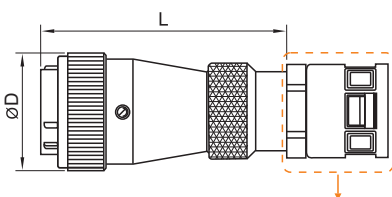
护盖可选购尺寸见P18 >> Optional cap size see P18

● **直式金属软管插头：TP** Plug for metal-hose: TP



尺寸 Dimension(mm)	WS16	WS20	WS24	WS28	WS32	WS40	WS48	WS55
ØD1	21.5	26	30	34	39.5	49.5	57	64.5
L	48.5	57	61	64	81	86	96.5	112
管规 Hose size	1/4"	3/8"	3/8"	1/2"	3/4"	1"	I: 1"(不标) II: 1 1/4"	1 1/4"

● **直式塑料软管插头：TD** Plug for plastic-hose: TD

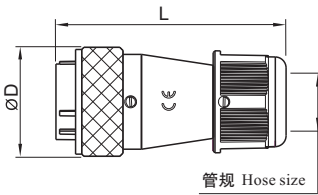


塑料软管接头可选购
Optional plastic hose adapter

尺寸 Dimension(mm)	WS16	WS20	WS24	WS28	WS32	WS40	WS48	WS55
ØD	21.5	26	30	34.5	39.5	49.5	57	64.5
L	56	64.5	68.5	73	88.5	95.5	105	119
接头规格 Adapter size	PG7	PG11	PG11	PG16	PG21	PG29	I: PG29(不标) II: PG36	PG36
适配软管接头 model of plastic hose adapter	WQG-PG7(B)	WQG-PG11(B)	WQG-PG11(B)	WQG-PG16(B)	WQG-PG21(B)	WQG-PG29(B)	I: WQG-PG29(B) II: WQG-PG36(B)	WQG-PG36(B)
管规 Hose size	AD10	AD15.8	AD15.8	AD21.2	AD28.5	AD34.5	I: AD34.5(不标) II: AD42.5	AD42.5

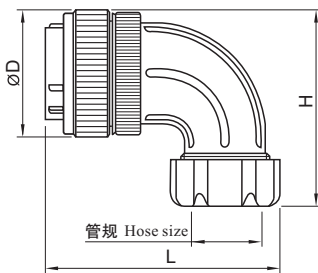


● 直式尼龙软管插头：TH Plug for PA-hose: TH



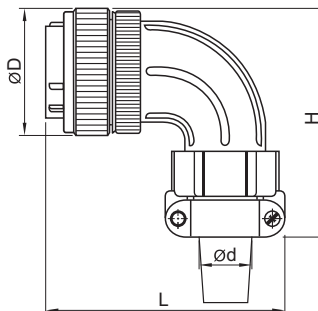
尺寸 Dimension(mm)	WS16	WS20	WS24	WS28
øD	22	26.2	30	34
L	52	63.5	66.5	69.5
管规 Hose size	AD10	AD15.8	AD15.8	AD21.2

● 弯式金属软管插头：TR Plug with angled back shell for metal-hose: TR



尺寸 Dimension(mm)	WS20	WS24	WS28	WS32	WS40	WS48	WS55
øD	27.5	31	35	39	49	57	64.5
H	50	51	54.5	63	73	89	97.5
L	60	60	64	82	87.5	94	115
管规 Hose size	3/8"	3/8"	1/2"	3/4"	1"	1"	1 1/4"

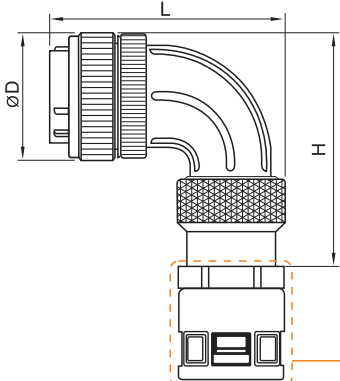
● 弯式双压板电缆插头：TS Plug with angled back shell with cable clamping plates: TS



尺寸 Dimension(mm)	WS20	WS24	WS28	WS32	WS40	WS48	WS55
øD	27.5	31	35	39	49.5	57	65
H	53.5	56	61	67.5	78	91	99.5
L	60	60	64	81	88	95	106
ød max	13.5	13.5	16.8	19	23.5	24	32

护盖可选购尺寸见P18 >> Optional cap size see P18

● 弯式塑料软管插头：TC Plug with right angle back shell for plastic-hose: TC



尺寸 Dimension(mm)	WS20	WS24	WS28	WS32	WS40	WS48	WS55
øD	27.5	31	35	39	49.5	57	64.5
H	57	62	65	71.5	82	96	104
L	59.5	60	63	81	88	94	112
接头规格 Adapter size	PG11	PG11	PG16	PG21	PG29	PG29	PG36
适配软管接头 model of plastic hose adapter	WQG-PG11(B)	WQG-PG11(B)	WQG-PG16(B)	WQG-PG21(B)	WQG-PG29(B)	WQG-PG29(B)	WQG-PG36(B)
管规 Hose size	AD15.8	AD15.8	AD21.2	AD28.5	AD34.5	AD34.5	AD42.5

塑料软管接头可选购
Optional plastic hose adapter

焊接芯件参数表 Solder contact spec

WS16, WF16, WY16	2	3	4	2B	3B	4B	5	7	9	10
公端绝缘体正面图 Male contact face view										
额定电流 (A) Rated current (A)	10	10	5	15	15	15	5	5	5	5
接触件直径(mm) Contact diameter(mm)	Ø1.5X2	Ø1.5X3	Ø1X4	Ø2X2	Ø2X3	Ø2X4	Ø1X5	Ø1X7	Ø1X9	Ø1X10
工作电压 (AC.V) Rated voltage (AC.V)	500	500	500	500	500	500	500	400	400	400
耐压 (AC.V) 1 min Test voltage(AC.V) 1 min	1500	1500	1500	1500	1500	1500	1500	1200	1200	1200
接触电阻 (mΩ) Contact resistance(mΩ)	2.5	2.5	5	2.5	2.5	2.5	5	5	5	5
绝缘电阻 (MΩ) Insulation resistance(MΩ)	2000	2000	2000	2000	2000	2000	2000	2000	2000	2000
线规 (mm²/AWG) Wire size (mm²/AWG)	≤2/14	≤2/14	≤0.75/18	≤2/14	≤2/14	≤2/14	≤0.75/18	≤0.75/18	≤0.75/18	≤0.75/18

WS20, WF20, WY20	2	3	4	5	6	6B	7	8	9	12	15
公端绝缘体正面图 Male contact face view											
额定电流 (A) Rated current (A)	25	25	25	10	5 25	5 30	10	10	5	5	5
接触件直径(mm) Contact diameter(mm)	Ø2.5 2	Ø2.5 3	Ø2.5 4	Ø1.5 5	Ø1X2 Ø2.5X4	Ø1X4 Ø3X2	Ø1.5 7	Ø1.5 8	Ø1 9	Ø1 12	Ø1 15
工作电压 (AC.V) Rated voltage (AC.V)	500	500	500	500	500	500	500	500	400	400	400
耐压 (AC.V) 1 min Test voltage(AC.V) 1 min	1500	1500	1500	1500	1500	1500	1500	1500	1200	1200	1200
接触电阻 (mΩ) Contact resistance(mΩ)	1	1	1	2.5	5 1	5 1	2.5	2.5	5	5	5
绝缘电阻 (MΩ) Insulation resistance(MΩ)	2000	2000	2000	2000	2000	2000	2000	2000	2000	2000	2000
线规 (mm²/AWG) Wire size (mm²/AWG)	≤4/11	≤4/11	≤4/11	≤2/14	≤0.75/18 ≤4/11	≤0.75/18 ≤4/11	≤2/14	≤2/14	≤0.75/18	≤0.75/18	≤0.75/18

WS24, WF24, WY24	2	3	4	9	10	12	12B	19
公端绝缘体正面图 Male contact face view								
额定电流 (A) Rated current (A)	25	25	25	5 25	10	10	5 30	5
接触件直径(mm) Contact diameter(mm)	Ø2.5X2	Ø2.5X3	Ø2.5X4	Ø1X5 Ø2.5X4	Ø1.5X10	Ø1.5X12	Ø1X9 Ø3X3	Ø1X19
工作电压 (AC.V) Rated voltage (AC.V)	500	500	500	500	500	500	500	400
耐压 (AC.V) 1 min Test voltage(AC.V) 1 min	1500	1500	1500	1500	1500	1500	1500	1200
接触电阻 (mΩ) Contact resistance(mΩ)	1	1	1	5 1	2.5	2.5	5 1	5
绝缘电阻 (MΩ) Insulation resistance(MΩ)	2000	2000	2000	2000	2000	2000	2000	2000
线规 (mm²/AWG) Wire size (mm²/AWG)	≤4/11	≤4/11	≤4/11	≤0.75/18 ≤4/11	≤2/14	≤2/14	≤0.75/18 ≤4/11	≤0.75/18

WS28, WF28, WY28	2	3	4	7	8	8B	9	10	10B	12	16	17	20	24	26	35	
公端绝缘体正面图 Male contact face view																	
额定电流 (A) Rated current (A)	50	50	25	25	25	60.5	25.5	25	10	10	10	10	5	5	5	5	
接触件直径(mm) Contact diameter(mm)	Ø3.5X2	Ø3.5X3	Ø2.5X4	Ø2.5X7	Ø2.5X8	Ø5X2 Ø1X6	Ø2.5X4 Ø1X5	Ø2.5X10	Ø1.5X10	Ø1.5X12	Ø1.5X16	Ø1.5X17	Ø1X20	Ø1X24	Ø1X26	Ø1X35	
工作电压 (AC.V) Rated voltage (AC.V)	500	500	500	500	500	500 400	500	500	500	500	500	500	400	400	400	400	
耐压 (AC.V) 1 min Test voltage(AC.V) 1 min	1500	1500	1500	1500	1500	1500	1500	1500	1500	1500	1500	1500	1200	1200	1200	1200	
接触电阻 (mΩ) Contact resistance(mΩ)	0.5	0.5	1	1	1	0.5. 5	1. 5	1	2.5	2.5	2.5	2.5	5	5	5	5	
绝缘电阻 (MΩ) Insulation resistance(MΩ)	2000	2000	2000	2000	2000	2000	2000	2000	2000	2000	2000	2000	2000	2000	2000	2000	
线规 (mm²/AWG) Wire size (mm²/AWG)	≤10/7	≤10/7	≤4/11	≤4/11	≤4/11	≤16/6 ≤0.75/18	≤4/11 ≤0.75/18	≤4/11	≤2/14	≤2/14	≤2/14	≤2/14	≤2/14	≤0.75/18	≤0.75/18	≤0.75/18	≤0.75/18

焊接芯件参数表 Solder contact spec

WS32, WF32, WY32	4	6	8	8B	10	10B	11	12	13	19
公端绝缘体正面图 Male contact face view										
额定电流 (A) Rated current (A)	50	10 50	10 50	10 50	10 25	25	25	25	10 25	10
接触件直径(mm) Contact diameter(mm)	∅3.5X4	∅1.5X2 ∅3.5X4	∅1.5X5 ∅3.5X3	∅1.5X4 ∅3.5X4	∅1.5X5 ∅2.5X5	∅2.5X10	∅2.5X11	∅2.5X12	∅1.5X9 ∅2.5X4	∅1.5X19
工作电压 (AC.V) Rated voltage (AC.V)	500V	500V	500V	500V	500V	500V	500V	500V	500V	500V
耐压 (AC.V) 1 min Test voltage(AC.V) 1 min	1500V	1500V	1500V	1500V	1500V	1500V	1500V	1500V	1500V	1500V
接触电阻 (mΩ) Contact resistance(mΩ)	0.5	2.5 0.5	2.5 0.5	2.5 0.5	2.5 1	1	1	1	2.5 1	2.5
绝缘电阻 (MΩ) Insulation resistance (MΩ)	2000	2000	2000	2000	2000	2000	2000	2000	2000	2000
线规 (mm ² /AWG) Wire size (mm ² /AWG)	≤10/7	≤2/14 ≤10/7	≤2/14 ≤10/7	≤2/14 ≤10/7	≤2/14 ≤4/11	≤4/11	≤4/11	≤4/11	≤2/14 ≤4/11	≤2/14

WS40, WF40, WY40	5	9	15	26	31	52
公端绝缘体正面图 Male contact face view						
额定电流 (A) Rated current (A)	50	25 50	10	10 25	10	5
接触件直径(mm) Contact diameter(mm)	∅3.5X5	∅2.5X5 ∅3.5X4	∅1.5X15	∅1.5X22 ∅2.5X4	∅1.5X31	∅1X52
工作电压 (AC.V) Rated voltage (AC.V)	500	500	500	500	500	400
耐压 (AC.V) 1 min Test voltage(AC.V) 1 min	1500	1500	1500	1500	1500	1200
接触电阻 (mΩ) Contact resistance(mΩ)	0.5	1 0.5	2.5	2.5、1	2.5	5
绝缘电阻 (MΩ) Insulation resistance (MΩ)	2000	2000	2000	2000	2000	2000
线规 (mm ² /AWG) Wire size (mm ² /AWG)	≤10/7	≤4/11 ≤10/7	≤2/14	≤2/14 ≤4/11	≤2/14	≤0.75/18

WS48, WF48, WY48	5	7	20	27	38	42
公端绝缘体正面图 Male contact face view						
额定电流 (A) Rated current (A)	100	50	25	10 25	10 25	10
接触件直径(mm) Contact diameter(mm)	∅5.5X5	∅3.5X7	∅2.5X20	∅1.5X26 ∅2.5X1	∅1.5X33 ∅2.5X5	∅1.5X42
工作电压 (AC.V) Rated voltage (AC.V)	500	500	500	500	500	500
耐压 (AC.V) 1 min Test voltage(AC.V) 1 min	1500	1500	1500	1500	1500	1500
接触电阻 (mΩ) Contact resistance(mΩ)	0.3	0.5	1	2.5、1	2.5、1	2.5
绝缘电阻 (MΩ) Insulation resistance (MΩ)	2000	2000	2000	2000	2000	2000
线规 (mm ² /AWG) Wire size (mm ² /AWG)	≤25/3	≤10/7	≤4/11	≤2/14 ≤4/11	≤2/14 ≤4/11	≤2/14

WS55, WF55, WY55	4	7	40	53	61
公端绝缘体正面图 Male contact face view					
额定电流 (A) Rated current (A)	50 150	50 100	10 25	10 25	10
接触件直径(mm) Contact diameter(mm)	∅3.5X1 ∅10X3	∅3.5X1 ∅5.5X6	∅1.5X25 ∅2.5X15	∅1.5X48 ∅2.5X5	∅1.5X61
工作电压 (AC.V) Rated voltage (AC.V)	500	500	500	500	500
耐压 (AC.V) 1 min Test voltage(AC.V) 1 min	1500	1500	1500	1500	1500
接触电阻 (mΩ) Contact resistance(mΩ)	0.5 0.2	0.5 0.3	2.5 1	2.5 1	2.5
绝缘电阻 (MΩ) Insulation resistance (MΩ)	2000	2000	2000	2000	2000
线规 (mm ² /AWG) Wire size (mm ² /AWG)	≤10/7 ≤70/(2/0)	≤10/7 ≤25/3	≤2/14 ≤4/11	≤2/14 ≤4/11	≤2/14