



● M23系列-电源 M23 for power

材料和技术参数 Material and spec

外壳材料	Shell material	锌基合金(镀镍) Zinc alloy with nickel plating
接触件材料	Contact material	铜镀金 Brass with gold plating
绝缘体	Insert material	PA66
绝缘电阻	Insulation resistance	$>10^{13} \text{ m}\Omega$
接线方式	Termination	压接 Crimp
温度范围	Temperature range	$-40^{\circ}\text{C} \sim +125^{\circ}\text{C}$
接插次数	Mating cycle	1000
电缆直径	Cable outer diameter range	I: 4-8mm (订制 Special order) II: 8-13mm (标配 Standard) III: 12-17mm (订制 Special order)
防护等级	IP rating	IP67
接插方式	Coupling	螺纹锁紧 Threaded coupling



公针直式电缆插头

Male contact
cable connector

M23DJ TK

芯数
Number of contact

颜色

灰色: GY (标配)

黑色: BK (订制), 橙色: OG (订制)

蓝色: BU (订制), 绿色: GN (订制)

紫色: PL (订制)

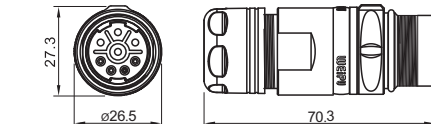
— 电缆直径 Cable outer diameter range

I: 4-8mm (订制 Special order) II: 8-13mm (标配 Standard)

III: 12-17mm (订制 Special order)

S:屏蔽 Shield

U:不带屏蔽 Unshielded



Colour

Gray: GY (Standard)

Black: BK (Special order), Orange: OG (Special order)

Blue: BU (Special order), Green: GN (Special order)

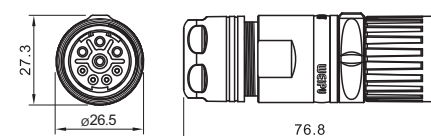
Purple: PL (Special order)



母针直式电缆插头



Female contact
cable connector

M23DK TK



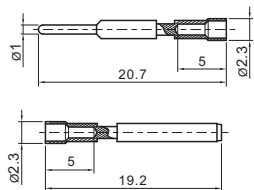
M23系列电源芯件参数表 M23 for power contact arrangement and spec

01

公端绝缘体正面图 Male contact face view	芯数 Number of contact	接触件直径 Contact diameter (mm)	额定电压 Rated voltage (AC.V)	额定电流 Rated current (A)	耐压 Test voltage (AC.V)1min
	6(5+PE)	ø2	600	28	4000
	8(3+4+PE)	ø1×4 ø2×4	300 600	8 28	2500

8A压接插针 8A Crimp contact

※接触直径: $\varnothing 1$
 Contact diameter: $\varnothing 1$
 ※材料: 铜镀金
 Material: Brass with gold plating



8A压接公插针 8A Male crimp contact

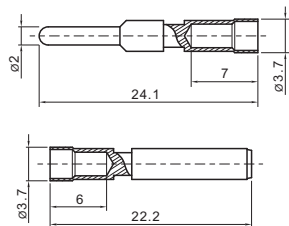
线规 Wire size	剥线长度 Stripping length	压接公插针 Male crimp contact p/n	压接工具 Crimping tool p/n
0.08-0.5mm ² AWG 28-20	4mm	YJ1-20.7-0.56AU	CTW-0.14/4
0.25-1.0mm ² AWG 23-17	4mm	YJ1-20.7-1.0AU	CTW-0.14/4

8A冷压母插针 8A Female crimp contact

线规 Wire size	剥线长度 Stripping length	压接母插针 Female crimp contact p/n	压接工具 Crimping tool p/n
0.08-0.5mm ² AWG 28-10	4mm	YK1-19.2-0.56AU	CTW-0.14/4
0.25-1.0mm ² AWG 23-17	4mm	YK1-19.2-1.0AU	CTW-0.14/4

28A压接插针 28A Crimp contact

※接触直径: $\varnothing 2$
 Contact diameter: $\varnothing 2$
 ※材料: 铜镀金
 Material: Brass with gold plating



28A压接公插针 28A Male crimp contact

线规 Wire size	剥线长度 Stripping length	压接公插针 Male crimp contact p/n	压接工具 Crimping tool p/n
0.08-0.5mm ² AWG 28-20	7mm	YJ2-24.1-0.56AU	CTW-0.14/4
1-2.5mm ² AWG 18-13	7mm	YJ2-24.1-2.5AU	CTW-0.14/4
2.5-4mm ² AWG 13-12	7mm	YJ2-24.1-4.0AU	CTW-0.14/4

28A压接母插针 28A Female crimp contact

线规 Wire size	剥线长度 Stripping length	压接母插针 Female crimp contact p/n	压接工具 Crimping tool p/n
0.08-0.5mm ² AWG 28-20	6mm	YJ2-22.2-0.56AU	CTW-0.14/4
1-2.5mm ² AWG 18-13	6mm	YK2-22.2-2.5AU	CTW-0.14/4
2.5-4mm ² AWG 13-12	6mm	YK2-22.2-4.0AU	CTW-0.14/4

压接工具 Crimp tool

用于插针的压接
 For crimping the male / female contacts



型号 Part number	压线范围 Crimping wire range
CTW-0.14/4	0.14-4mm ² AWG 25-11

IP67



● M23系列-信号 M23 for signal

材料和技术参数 Material and spec

外壳材料	Shell material	锌基合金(镀镍) Zinc alloy with nickel plating
接触件材料	Contact material	铜镀金 Brass with gold plating
绝缘体	Insert material	PA66
绝缘电阻	Insulation resistance	9、12 针 pins: $>10^{10}$ m Ω 17、19 针 pins: $>10^6$ m Ω
接线方式	Termination	压接 Crimp
温度范围	Temperature range	-40℃~+125℃
接插次数	Mating cycle	1000
电缆直径	Cable outer diameter range	I: 4-8mm (订制 Special order) II: 8-13mm (标配 Standard) III: 12-17mm (订制 Special order)
防护等级	IP rating	IP67
接插方式	Coupling	螺纹锁紧 Threaded coupling

公针直式电缆插头

Male contact
cable connector

M23SJ TK

芯数
Number of contact



键槽(见第P01-07页)

N: 灰色(标配), S: 黑色(订做)

H: 橙色(订做), X: 蓝色(订做)

Y: 绿色(订做), Z: 紫色(订做)

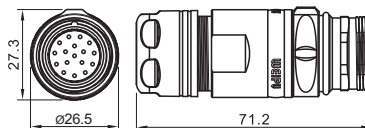
电缆直径 Cable outer diameter range

I: 4-8mm (订制 Special order) II: 8-13mm (标配 Standard)

III: 12-17mm (订制 Special order)

S:屏蔽 Shield

U:不带屏蔽 Unshielded



Coded chuck (See P01-07)

N: Gray (Standard), S: Black (Special order)

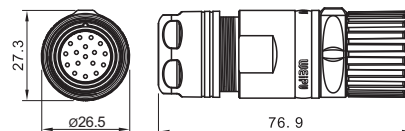
H: Orange (Special order), X: Blue (Special order)

Y: Green (Special order), Z: Purple (Special order)

母针直式电缆插头

Female contact
cable connector

M23SK TK ___



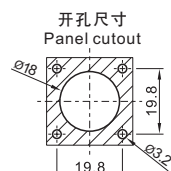
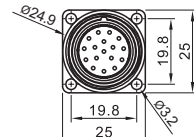


公针直式方形法兰插座
Male contact square flange receptacle

M23SJ_Z

芯数
Number of contact

键槽 (见第P01-07页)
N: 灰色(标配), S: 黑色(订做)
H: 橙色(订做), X: 蓝色(订做)
Y: 绿色(订做), Z: 紫色(订做)

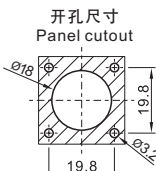
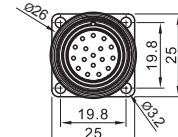
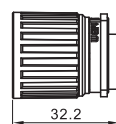


Coded chuck (See P01-07)
N: Gray (Standard), S: Black (Special order)
H: Orange (Special order), X: Blue (Special order)
Y: Green (Special order), Z: Purple (Special order)



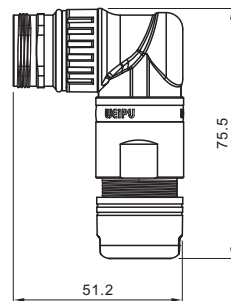
母针直式方形法兰插座
Female contact square flange receptacle

M23SK_Z_



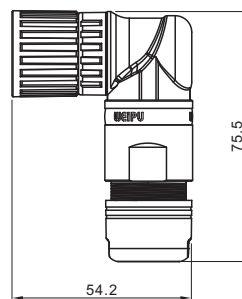
公针弯式电缆插头
Male contact angled cable connector

M23SJ_TL_ _ _



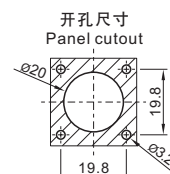
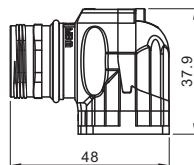
母针弯式电缆插头
Female contact angled cable connector

M23SK_TL_ _ _



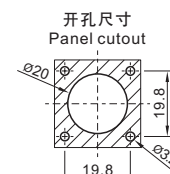
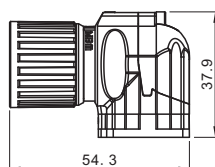
公针弯式方形法兰插座
Male contact angled square flange receptacle

M23SJ_ZL_



母针弯式方形法兰插座
Female contact angled square flange receptacle

M23SK_ZL_



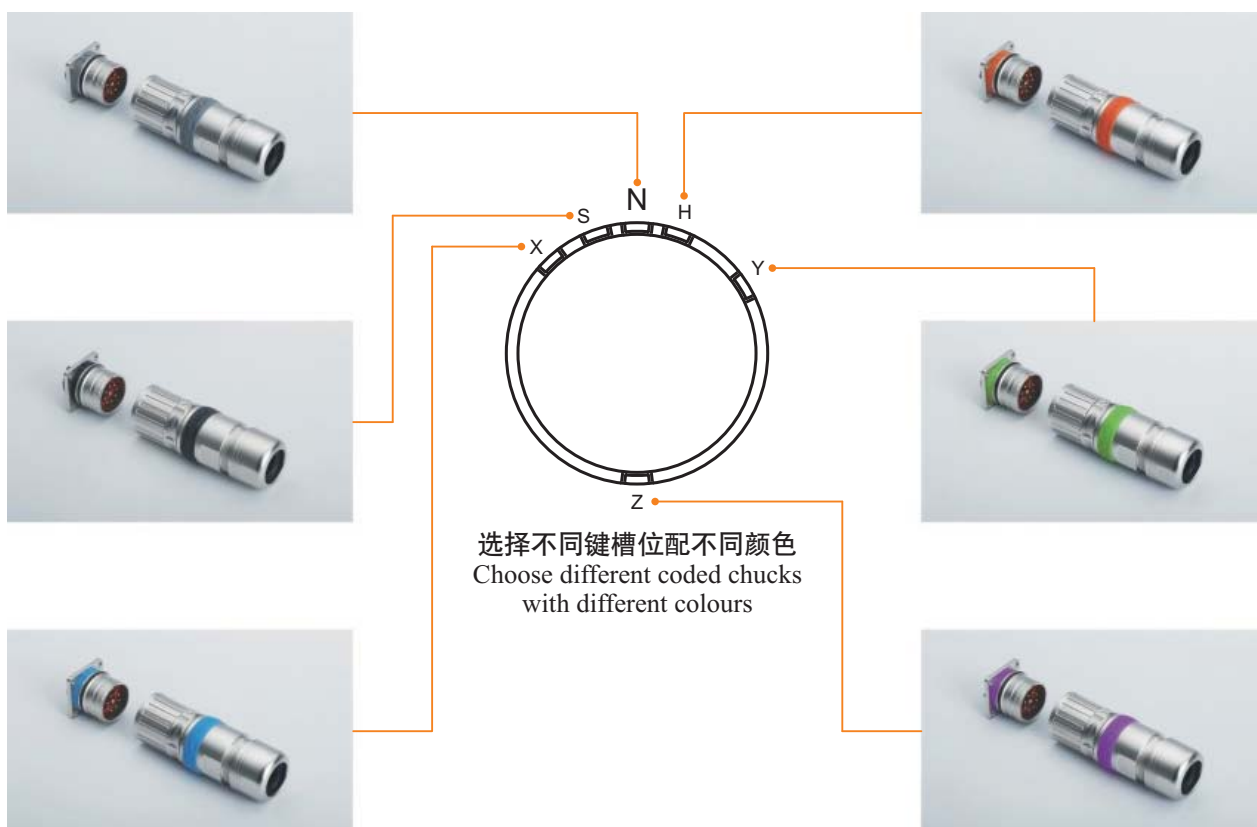
M23系列信号芯件参数表 M23 for signal contact arrangement and spec

01

公端绝缘体正面图 Male contact face view	芯数 Number of contact	接触件直径 Contact diameter (mm)	额定电压 Rated voltage (AC.V)	额定电流 Rated current (A)	耐压 Test voltage (AC.V)1min
	9(8+1)	∅1 8 ∅2 1	300	8 20	2500
	12	∅1 12	300	8	2500
	17	∅1 17	150	8	1500
	19(16+3)	∅1 16 ∅1.5 3	150	8 10	1500

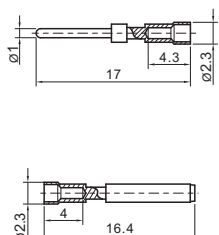
接触件芯数 Number of Contact	可选接插角度 Optional Angle	编码槽 Coded Chuck
9	N, S, H, X, Y	 公端/标准插拔面 Male contact face view 母端/标准插拔面 Female contact face view
12	N, S, H, X, Y, Z	
17	N, S, H, X, Y, Z	
19	N, S, H, X, Y	

编码N在原始状态是打开的，运用其它的编码请打开编码卡头
Code N is open in original state, if you need to use another, please open the coded chuck head.



8A压接插针 8A Crimp contact

※接触直径: $\phi 1$
Contact diameter: $\phi 1$
※材料: 铜镀金
Material: Brass with gold plating



8A压接公插针 8A Male crimp contact

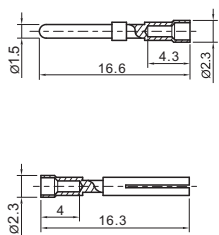
线规 Wire size	剥线长度 Stripping length	压接公插针 Male crimp contact p/n	压接工具 Crimping tool p/n
0.08-0.5mm ² AWG 28-20	4mm	YJ1-17-0.56AU	CTW-0.14/4
0.56-1mm ² AWG 20-17	4mm	YJ1-17-1.0AU	CTW-0.14/4
1-1.5mm ² AWG 17-16	4mm	YJ1-17-1.5AU	CTW-0.14/4

8A冷压母插针 8A Female crimp contact

线规 Wire size	剥线长度 Stripping length	压接母插针 Female crimp contact p/n	压接工具 Crimping tool p/n
0.08-0.5mm ² AWG 28-20	4mm	YK1-16.4-0.56AU	CTW-0.14/4
0.56-1mm ² AWG 20-17	4mm	YK1-16.4-1.0AU	CTW-0.14/4
1-1.5mm ² AWG 17-16	4mm	YK1-16.4-1.5AU	CTW-0.14/4

10A压接插针 10A Crimp contact

※接触直径: $\phi 1.5$
Contact diameter: $\phi 1.5$
※材料: 铜镀金
Material: Brass with gold plating



10A压接公插针 10A Male crimp contact

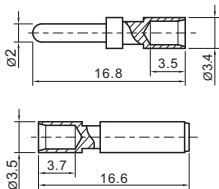
线规 Wire size	剥线长度 Stripping length	压接公插针 Male crimp contact p/n	压接工具 Crimping tool p/n
0.14-0.5mm ² AWG 26-20	4mm	YJ1.5-16.6-0.56AU	CTW-0.14/4
0.5-1mm ² AWG 20-17	4mm	YJ1.5-16.6-1.0AU	CTW-0.14/4
1-1.5mm ² AWG 17-16	4mm	YJ1.5-16.6-1.5AU	CTW-0.14/4

10A压接母插针 10A Female crimp contact

线规 Wire size	剥线长度 Stripping length	压接母插针 Female crimp contact p/n	压接工具 Crimping tool p/n
0.14-0.5mm ² AWG 26-20	4mm	YK1.5-16.3-0.56AU	CTW-0.14/4
0.56-1mm ² AWG 20-17	4mm	YK1.5-16.3-1.0AU	CTW-0.14/4
1-1.5mm ² AWG 17-16	4mm	YK1.5-16.3-1.5AU	CTW-0.14/4

20A压接插针 20A Crimp contact

※接触直径: $\phi 2$
Contact diameter: $\phi 2$
※材料: 铜镀金
Material: Brass with gold plating



20A压接公插针 20A Male crimp contact

线规 Wire size	剥线长度 Stripping length	压接公插针 Male crimp contact p/n	压接工具 Crimping tool p/n
0.75-2.5mm ² AWG 18-13	3.5mm	YJ2-16.8-2.5AU	CTW-0.14/4

20A压接母插针 20A Female crimp contact

线规 Wire size	剥线长度 Stripping length	压接母插针 Female crimp contact p/n	压接工具 Crimping tool p/n
0.75-2.5mm ² AWG 18-13	3.5mm	YK2-16.6-2.5AU	CTW-0.14/4

压接工具 Crimp tool



用于插针的压接
For crimping the male / female contacts


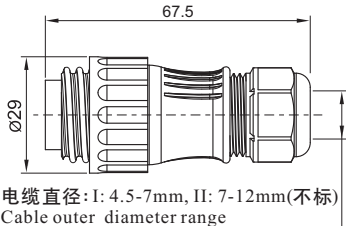



型号 Part number	压线范围 Crimping wire range
CTW-0.14/4	0.14-4mm ² AWG 25-11



● WA22系列 WA Series IP67

材料和技术参数 Material and spec			
芯数	Number of contact	3+PE	6+PE
接触件直径(mm)	Contact diameter (mm)	ø2	ø1.5
额定电压 (AC.V)	Rated voltage (AC.V)	400	250
额定电流 (A)	Rated current (A)	16	10
线规	Wire size (mm ² /AWG)	≤2.5/14	≤0.75/18
接线方式	Termination	螺丝压接 Screw	焊接 Solder
耐压 (AC.V)1min	Test voltage(AC.V)1min	2000	
绝缘电阻(MΩ)	Insulation resistance (MΩ)	2000	
外壳材料	Shell material	热塑性塑料PA66 阻燃等级 V-0 Nylon66, fire resistance: V-0	
接触件材料	Contact material	铜镀金 Brass with gold plating	
温度范围	Temperature range	-40℃~+85℃	
接插次数	Mating cycle	500	

型号 Part number	说明 Description	尺寸 Drawing
 WA22J4TK2	WA22型4针夹爪锁紧电缆插头 3+PE, 螺丝压接 3+PE male cable connector with short back shell, screw termination	 电缆直径: I: 4.5-7mm, II: 7-12mm(不标) Cable outer diameter range
 WA22J7TK1	WA22型7针夹爪锁紧电缆插头 6+PE, 焊接 6+PE male cable connector with short back shell, solder termination	

型号 Part number	说明 Description	尺寸 Drawing
WA22K4TK2 	WA22型4孔夹爪锁紧电缆插头 3+PE, 螺丝压接 3+PE female cable connector with short back shell, screw termination	 <p>66.5</p> <p>Ø29.2</p> <p>电缆直径: I: 4.5-7mm, II: 7-12mm(不标) Cable outer diameter range</p>
WA22K7TK1 	WA22型7孔夹爪锁紧电缆插头 6+PE, 焊接 6+PE female cable connector with short back shell, solder termination	
WA22J4TL2 	WA22型4针弯式夹爪锁紧电缆插头 3+PE, 螺丝压接 3+PE male cable connector with angled back shell, screw termination	 <p>61.5</p> <p>Ø29</p> <p>55</p> <p>电缆直径: I: 4.5-7mm, II: 7-12mm(不标) Cable outer diameter range</p>
WA22J7TL1 	WA22型7针弯式夹爪锁紧电缆插头 6+PE, 焊接 6+PE male cable connector with angled back shell, solder termination	
WA22K4TL2 	WA22型4孔弯式夹爪锁紧电缆插头 3+PE, 螺丝压接 3+PE female cable connector with angled back shell, screw termination	 <p>61</p> <p>Ø29.2</p> <p>55</p> <p>电缆直径: I: 4.5-7mm, II: 7-12mm(不标) Cable outer diameter range</p>
WA22K7TL1 	WA22型7孔弯式夹爪锁紧电缆插头 6+PE, 焊接 6+PE female cable connector with angled back shell, solder termination	
WA22J4TE2 	WA22型4针电缆插头 3+PE, 螺丝压接 3+PE male cable connector, screw termination	 <p>72</p> <p>Ø29</p> <p>3.2</p> <p>M24</p> <p>电缆直径: I: Ø6.5, II: Ø8.5, III: Ø10.5(不标) Cable outer diameter range</p>
WA22J7TE1 	WA22型7针电缆插头 6+PE, 焊接 6+PE male cable connector, solder termination	

型号 Part number	说明 Description	尺寸 Drawing
WA22K4Z2 	WA22型4孔插座 3+PE, 螺丝压接 3+PE female panel connector, screw termination	 <p>开孔尺寸 Panel cutout</p>
WA22K7Z1 	WA22型7孔插座 6+PE焊接 6+PE female panel connector, solder termination	 <p>开孔尺寸 Panel cutout</p>
WA22K4ZE2 	WA22型4孔电缆插头 3+PE, 螺丝压接 3+PE female cable connector, screw termination	 <p>72 Ø29.2</p> <p>电缆直径: I:Ø6.5, II:Ø8.5, III:Ø10.5 (不标) Cable outer diameter range</p>
WA22K7ZE1 	WA22型7孔电缆插头 6+PE, 焊接 6+PE female cable connector, solder termination	
WA22J4Z2 	WA22型4针插座 3+PE, 螺丝压接 3+PE male panel connector, screw termination	 <p>开孔尺寸 Panel cutout</p>
WA22J7Z1 	WA22型7针插座 6+PE, 焊接 6+PE male panel connector, solder termination	 <p>开孔尺寸 Panel cutout</p>
WA22G1 	WA22型G1护盖 Cap 1	 <p>26 Ø29</p>
WA22G2 	WA22型G2护盖 Cap 2	 <p>31 Ø24 Ø29</p>

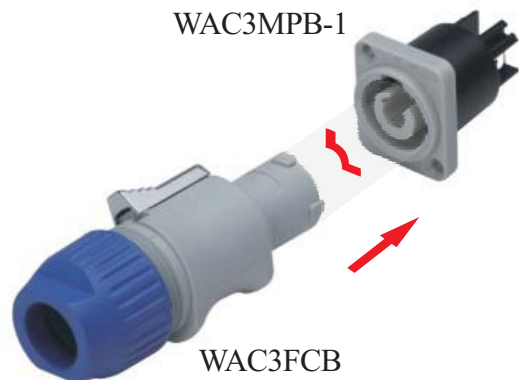




● WAC3系列 WAC3 Series

WAC3MPA-1

WAC3MPB-1

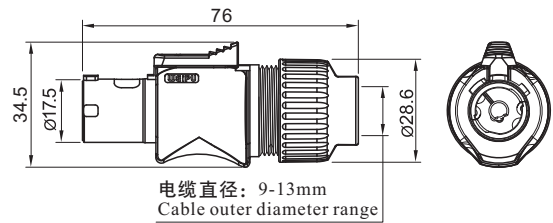
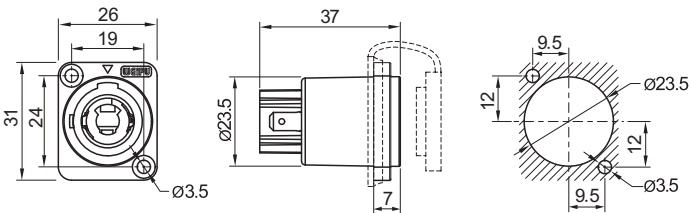


WAC3FCA

WAC3FCB

● 插座 Receptacle

● 插头 Plug



材料和技术参数 Material and spec

接插方式	Coupling	卡扣连接	Bayonet
外壳	Shell	插头: PA66 插座: PC	Plug: Nylon66 Socket: PC
接触件	Contact material	铜镀银	Brass with silver plating
额定电流A	Rated current (A)	20	
额定电压 (AC.V)	Rated voltage (AC.V)	250	
耐压 (AC.V) 1 min	Test voltage (AC.V) 1 min	2500	
绝缘电阻 (MΩ)	Insulation resistance (MΩ)	2000	
接插次数	Mating cycle	1000	
温度范围	Temperature range	-40℃~+85℃	
防护等级	IP range	IP65	
接线方式	Termination	插头: 螺丝压接, 插座: 4.8插簧端子	Plug: screw, Receptacle: 3/16" flat tab terminals

08

IP65

WAC3 Series



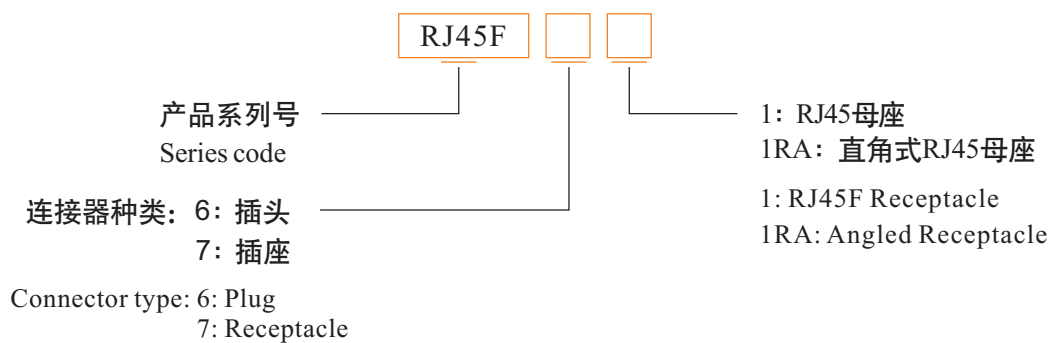


● RJ45F系列 IP67 RJ45F Series IP67

RJ45F以太网线防水连接器是将标准的5类，超5类，6类线缆，通过外壳，简单方便快速的转换为防尘防水，可在恶劣环境下使用。产品无需焊接，节省接线及布线时间，提高工作生产效率。广泛应用于LED显示设备、闭路监控系统、工厂自动化控制、通讯设备等。

RJ45F connector is used to connect standard Ethernet Class D /Cat.5e and Class E/cat 6 (10 Base T , 100 base TX , 1000 Base T net works) in outdoor or water proof harsh working environment . no need soldering , easy to connect , it is widely use in communications , LED boards , security monitoring , automation control etc.

型号 Part number system



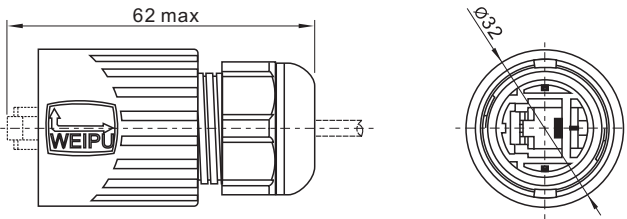
材料和技术参数 Material and spec

接插方式	Coupling	卡扣连接	Bayonet
外壳	Shell material	热塑性塑料PC, 阻燃等级V-0	PC, fire resistance: V-0
防护等级	IP rating	IP67	
线径范围	Cable out diameter range	I: 5-6mm (不标), II: 6-7mm	
接插次数	Mating cycle	500	
温度范围	Temperature range	-40℃~+85℃	

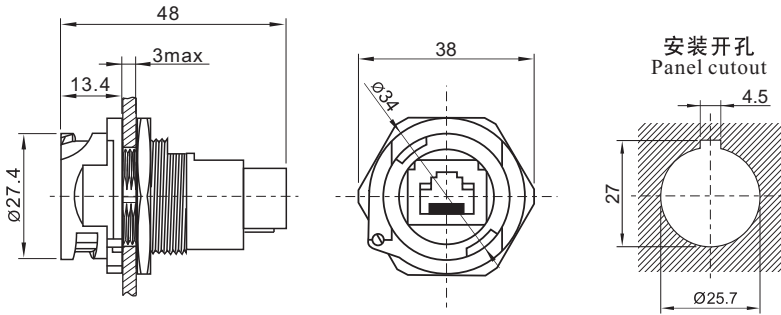


● **RJ45F插头:** RJ45F6 电缆外径
I: 5-6mm (不标), II: 6-7mm

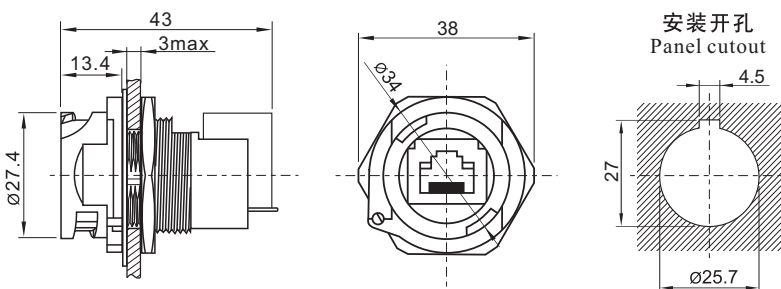
RJ45F plug: RJ45F6 Cable outer diameter
I: 5-6mm, II: 6-7mm



● **RJ45F母座:** RJ45F71
RJ45F Receptacle: RJ45F71



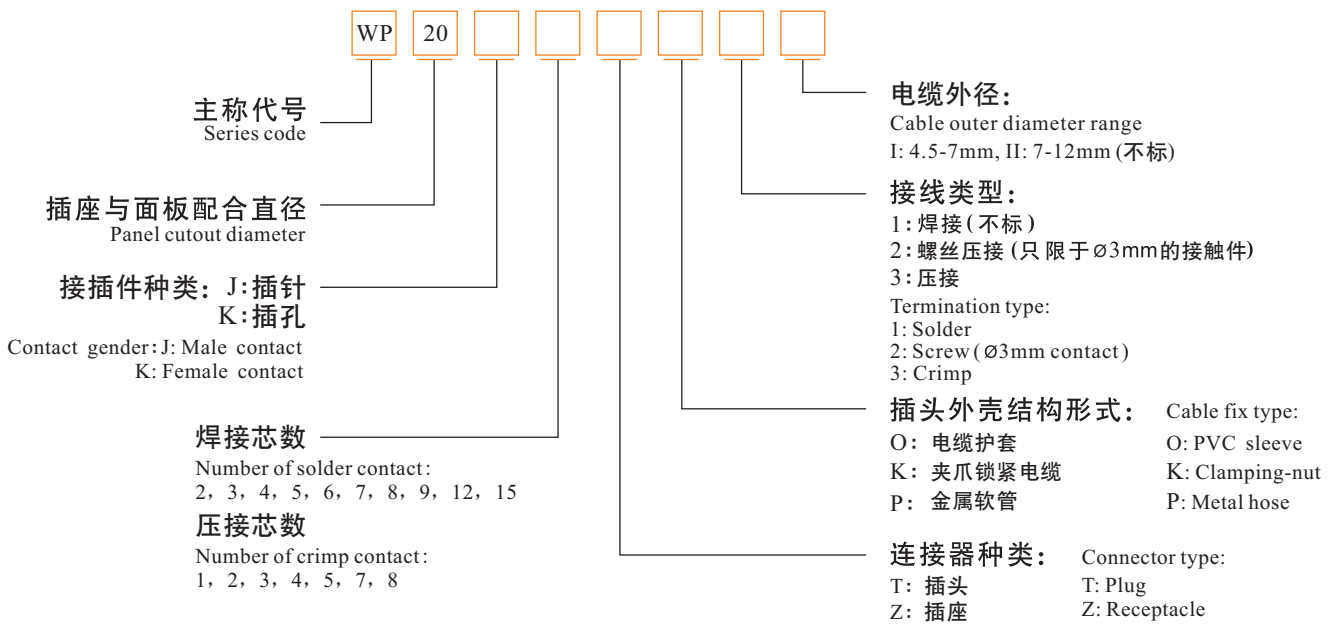
● **直角式RJ45F母座:** RJ45F71RA
Angled Receptacle: RJ45F71RA





WP系列 WP Series

型号 Part number system



★ 接触件可以是插针或插孔

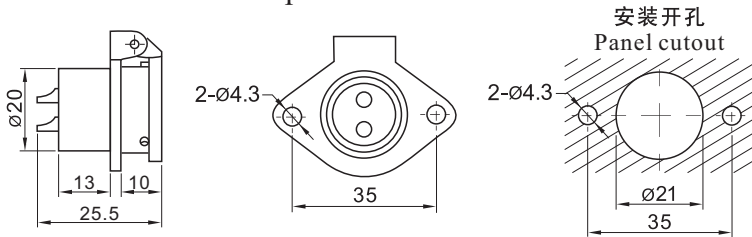
Each side can be male or female contact

材料和技术参数 Material and spec

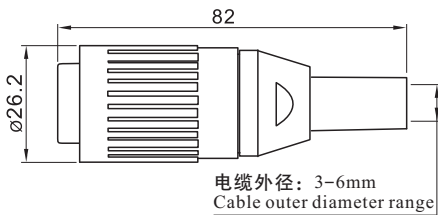
接插方式	Coupling	卡扣连接	Bayonet
外壳	Shell	PA66, 锌基合金	Nylon 66 / Zinc alloy
绝缘体	Insert material	热塑性塑料PPS, 耐高温260℃	PPS, max temperature 260 °C
接触件	Contact material	铜	Brass
接触件表面	Contact plating	镀金	Gold Plating
接线方式	Termination	焊接: $\varnothing 1\text{mm}$, $\varnothing 2\text{mm}$, $\varnothing 3\text{mm}$ 接触件 螺丝压接: $\varnothing 3\text{mm}$ 接触件 压接	Solder: $\varnothing 1\text{mm}$, $\varnothing 2\text{mm}$, $\varnothing 3\text{mm}$ contact Screw: $\varnothing 3\text{mm}$ contact Crimp
接插次数	Mating cycle	500	
温度范围	Temperature range	-40℃~+85℃	



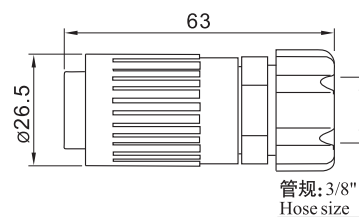
● **插座: Z IP44** Receptacle: Z IP44



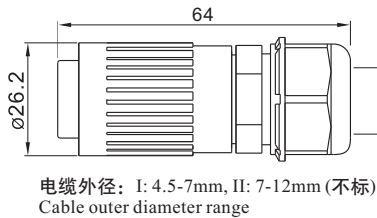
● **电缆护套插头: TO** PVC sleeve: TO



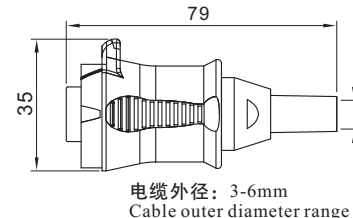
● **金属软管插头: TP** Metal hose: TP



● **夹爪锁紧电缆插头: TK IP55** Plastic clamping-nut: TK IP55



● **电缆护套直插插头: TO-G** Without bayonet: TO-G



焊接芯件参数表
Solder contact spec

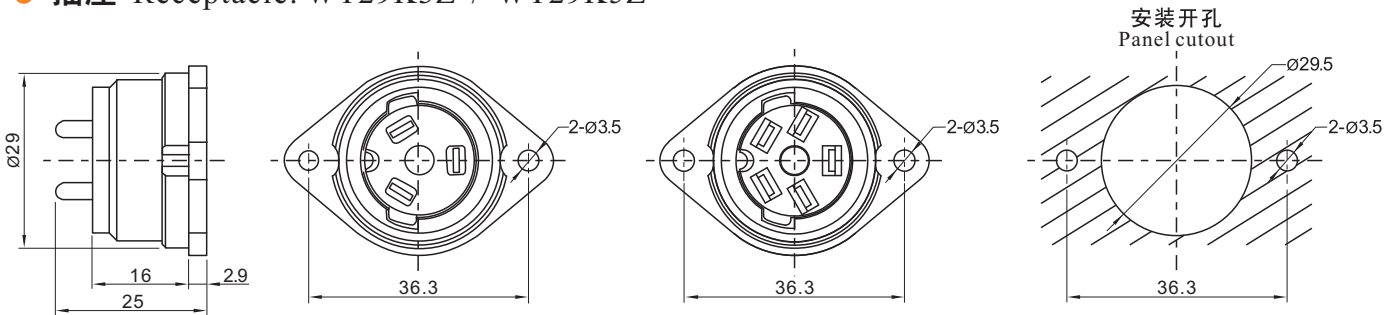
★ **压接芯件参数表在P20页>>**
Crimp contact spec see P20

★ **螺丝压接芯件参数表在P21页>>**
Screw contact spec see P21

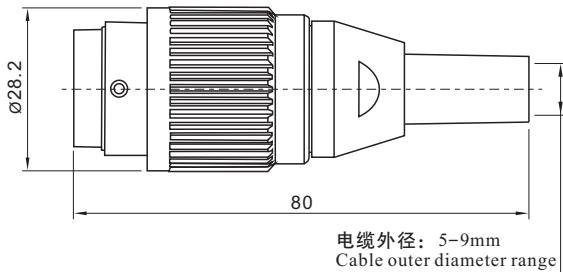
芯数 Number of contact	2	3	4	5	5B	5C	6	6B	7	8	9	12	15
公端绝缘体正面图 Male contact face view													
额定电流 (A) Rated current (A)	30	30	30	30	30 5	15	25 5	30 5	15	10	5	5	5
接触件直径 (mm) Contact diameter (mm)	ø3X2	ø3X3	ø3X4	ø3X5	ø3X2 ø1X3	ø2X5	ø2.5X4 ø1X2	ø3X2 ø1X4	ø2X7	ø1.5X8	ø1X9	ø1X12	ø1X15
工作电压 (AC.V) Rated voltage (AC.V)	500	500	500	500	500	500	500	500	500	500	400	400	400
耐压 (AC.V) 1 min Test voltage (AC.V) 1 min	1500	1500	1500	1500	1500	1500	1500	1500	1500	1500	1200	1200	1200
接触电阻 (mΩ) Contact resistance (mΩ)	1	1	1	1	1 5	2.5	1 5	1 5	2.5	2.5	5	5	5
接线方式 Termination	焊接/螺丝压接 solder / screw	焊接/螺丝压接 solder / screw	焊接/螺丝压接 solder / screw	焊接/螺丝压接 solder / screw	焊接 solder	焊接 solder	焊接 solder	焊接 solder	焊接 solder	焊接 solder	焊接 solder	焊接 solder	焊接 solder
焊接线规 (mm ² /AWG) Wire size for solder (mm ² / AWG)	≤4/11	≤4/11	≤4/11	≤4/11	≤4/11 ≤0.75/18	≤2/14	≤4/11 ≤0.75/18	4/11 ≤0.75/18	≤2/14	≤2/14	≤0.75/18	≤0.75/18	≤0.75/18
螺丝压接线规 (mm ² /AWG) Wire size for screw termination (mm ² / AWG)	≤1.5/15	≤1.5/15	≤1.5/15	≤1.5/15	/	/	/	/	/	/	/	/	/



- WT29系列 WT29 Series
- 插座 Receptacle: WT29K3Z / WT29K5Z



- 插头 Plug: WT29J3T / WT29J5T



材料和技术参数 Material and spec

接插方式	Coupling	卡扣连接	Bayonet
外壳	Shell	PA66, 阻燃等级 V-0	Nylon PA66, Fire resistance V-0
绝缘体	Insert material	PA66	Nylon PA66
接触件	Contact material	铜镀银	Brass with silver plating
接线方式	Termination	焊接	Solder
接插次数	Mating cycle	500	
温度范围	Temperature range	-40℃~+85℃	
绝缘电阻(MΩ)	Insulation resistance (MΩ)	2000	
耐压 (AC.V) 1 min	Test voltage (AC.V) 1 min	1500	
线规 (mm ² /AWG)	Wire size (mm ² /AWG)	2.5 / 16 max	
额定电流 (A)	Rated current (A)	10	
工作电压 (AC.V)	Rated voltage (AC.V)	400	
接触电阻 (mΩ)	Contact resistance (mΩ)	2.5	

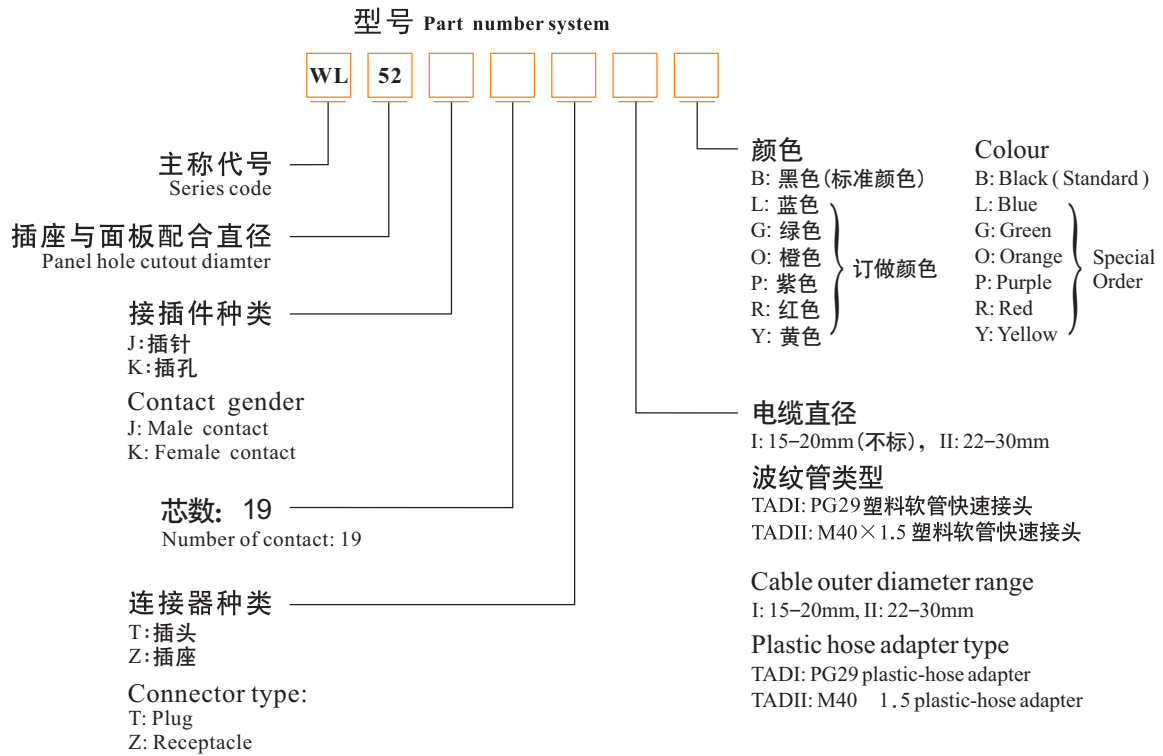
WT29 Series



IP66/67



● WL52系列 WL52 Series

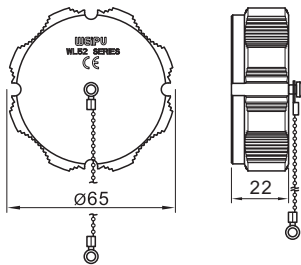


材料和技术参数 Material and spec

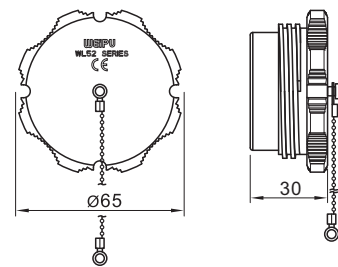
接插方式	Coupling	螺纹连接	Threaded
外壳	Shell	铝阳极氧化	Anodized aluminium
绝缘体	Insert material	PPS, 防火等级V-0, 耐温260℃	PPS, fire resistance: V-0, max temperature 260℃
接触件	Contact material	铜(镀金)	Brass with gold plating
防护等级	IP rating	IP66/67	
接线方式	Termination	焊接	Solder
接插次数	Mating cycle	500	
温度范围	Temperature range	-40℃~+85℃	
绝缘电阻	Insulation resistance	2000 MΩ	



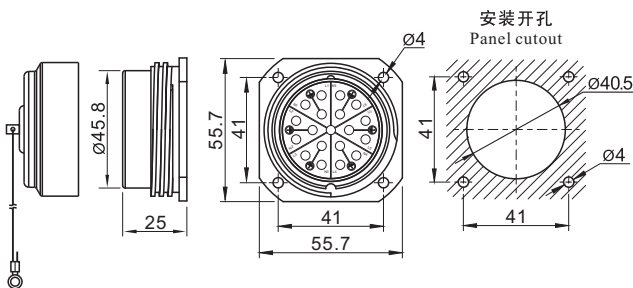
- **插座金属护盖: WL52-GZK IP67**
Aluminium cap for female-contact connector



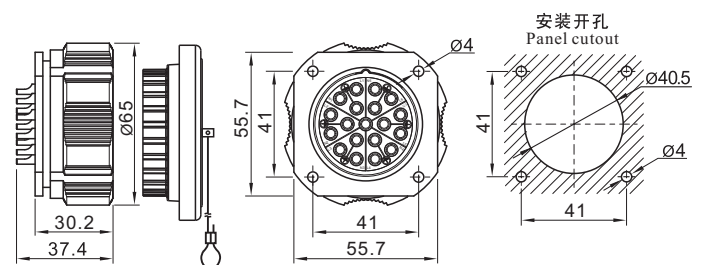
- **插头/插针插座金属护盖: WL52-GZJ IP67**
Aluminium cap for male-contact connector



- **方形法兰插孔插座: WL52K19Z IP67**
Square flange female contact receptacle



- **方形法兰插针插座: WL52J19Z IP67**
Square flange male contact receptacle



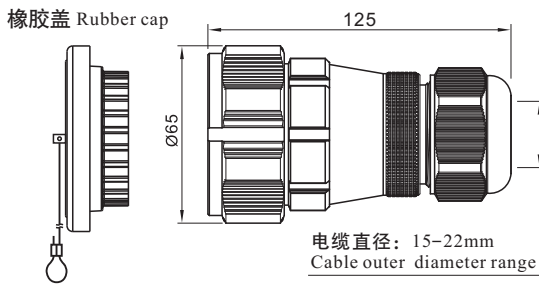
焊接芯件参数表

Solder contact spec

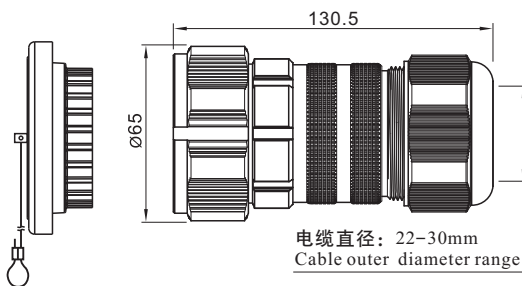
芯数 Number of contact	19
公端绝缘体正面图 Male contact face view	
额定电流 (A) Rated current (A)	25
接触件直径 Contact diameter	Ø3
工作电压 Rated voltage	700 (DC.V), 500 (AC.V)
耐压 (AC.V) 1 min Test voltage (AC.V) 1 min	2500
接触电阻 (MΩ) Contact resistance (MΩ)	1
线规 (mm ² /AWG) Wire size (mm ² /AWG)	≤6/9



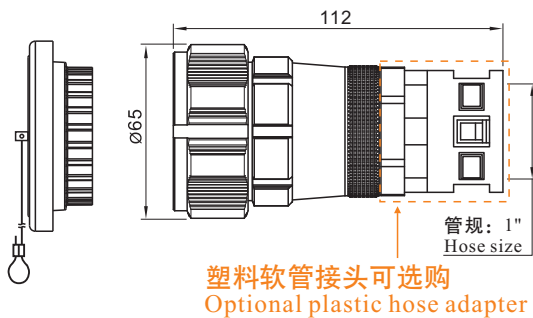
● **线夹身件插针插头** Male-contact plug with clamping-nut: WL52J19T IP67



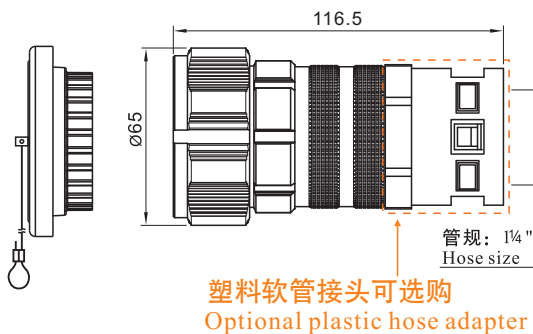
● **线夹身件插针插头2** Male-contact plug with clamping-nut 2: WL52J19TII IP67



● **PG29塑料软管插针插头** Male-contact plug for PG29 Plastic hose adapter: WL52J19TADI IP66

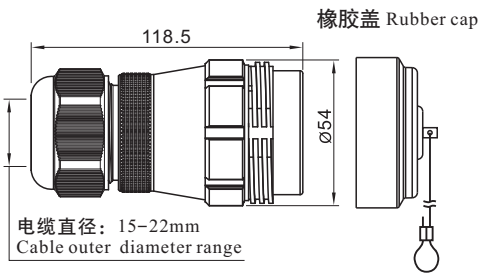


● **M40 1.5塑料软管插针插头** Male-contact plug for M40 × 1.5 plastic hose adapter: WL52J19TAD II IP66

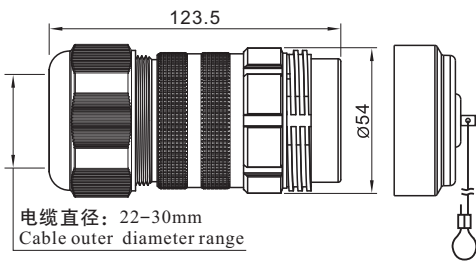




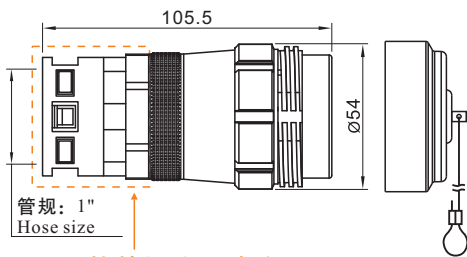
● **线夹身件插孔插头** Female-contact connector with clamping-nut: WL52K19T IP67



● **线夹身件插孔插头2** Female-contact connector with clamping-nut 2: WL52K19TII IP67

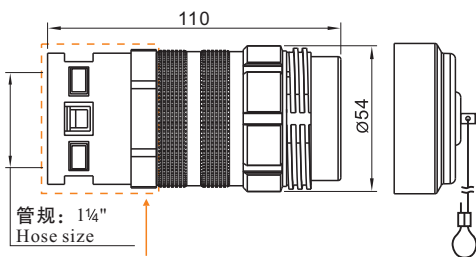


● **PG29塑料软管插孔插头** Female-contact connector for PG29 Plastic hose adapter: WL52K19TADI IP66



塑料软管接头可选购
Optional plastic hose adapter

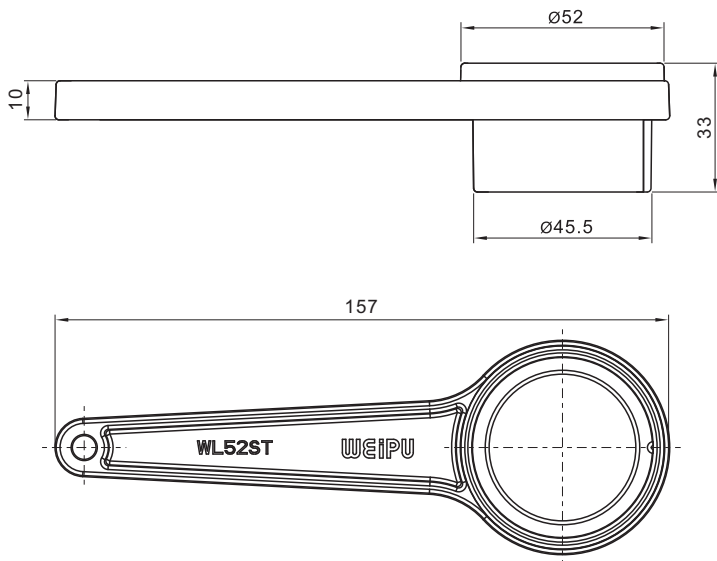
● **M40 1.5塑料软管插孔插头** Female-contact connector for M40 × 1.5 Plastic hose adapter: WL52K19TADII IP66



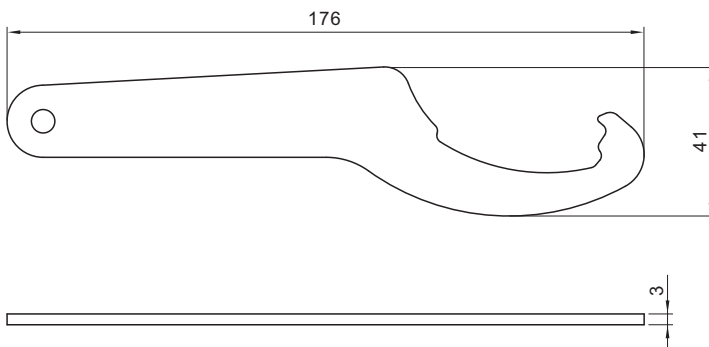
塑料软管接头可选购
Optional plastic hose adapter



● WL52型插头专用扳手 Wrench 1: WL52ST



● WL52型月牙扳手 Wrench 2: WL52SY

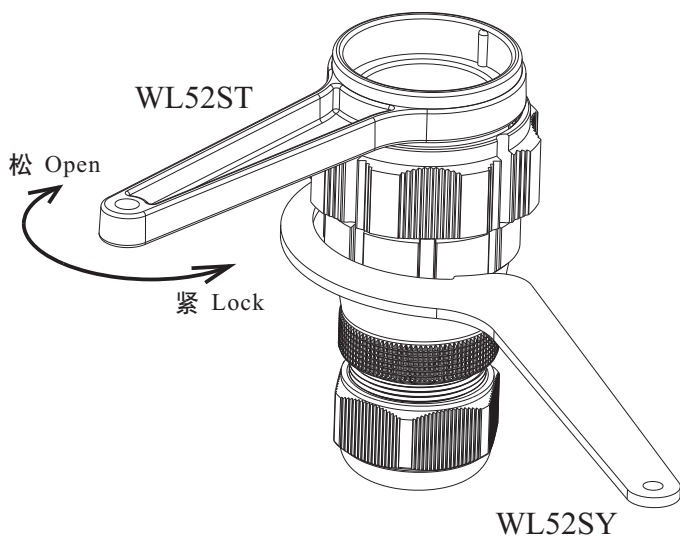
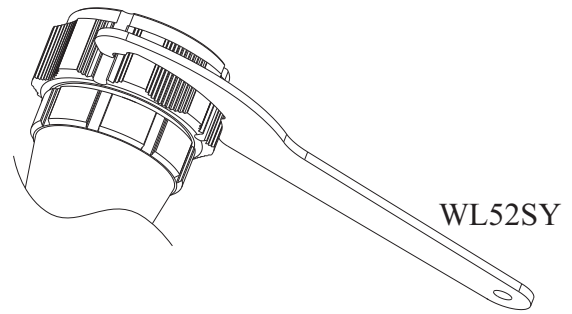
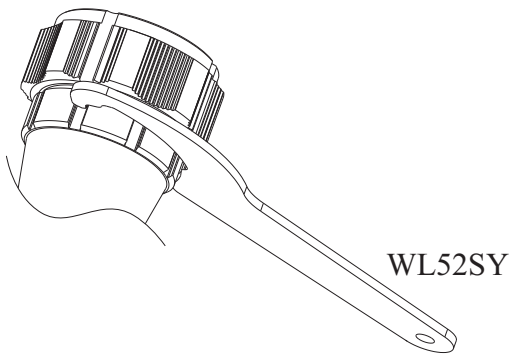
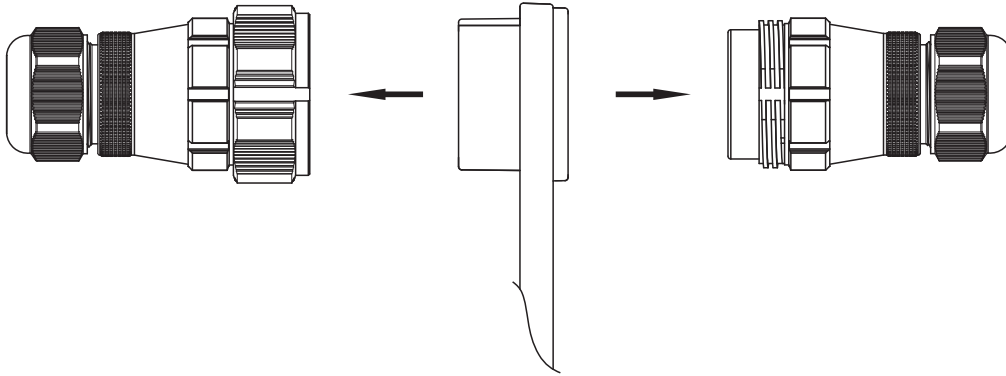


工具使用说明 Instruction

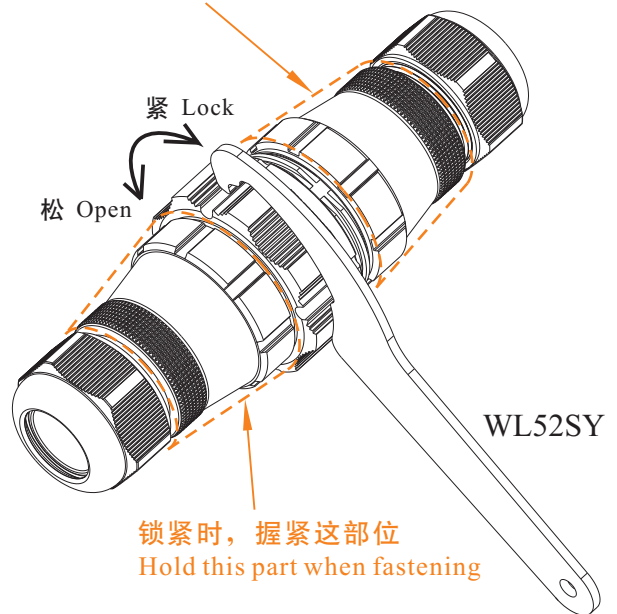
Male-contact connector

WL52ST

Female-contact connector



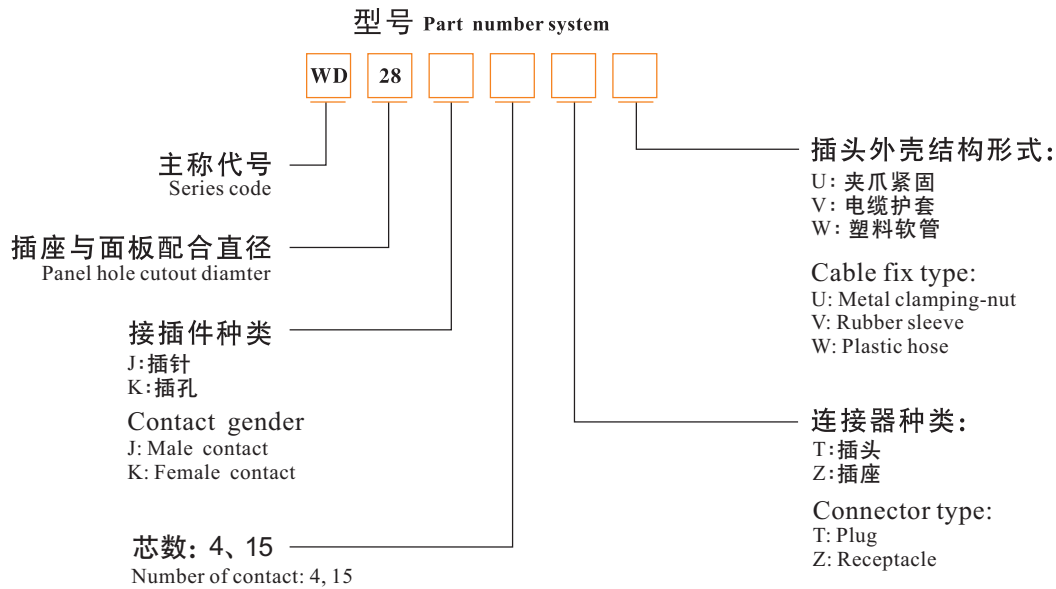
锁紧时，不要手握这部分
Don't hold this part when fastening



锁紧时，握紧这部分
Hold this part when fastening



● **WD 系列 WD Series**

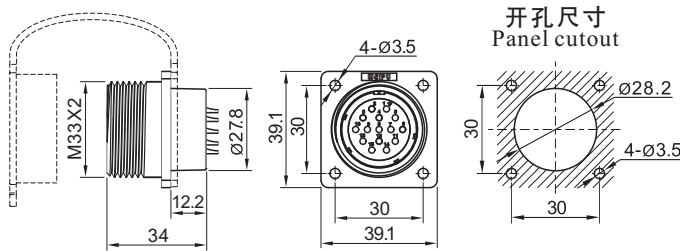


材料和技术参数 Material and spec

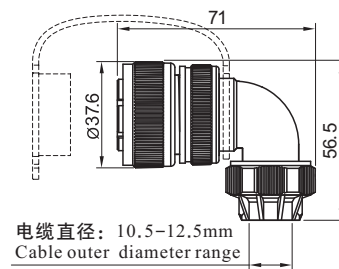
接插方式	Coupling	螺纹连接	Threaded
外壳材料	Shell material	锌合金(镀黑镍)	Zinc alloy with black nickel plating
绝缘体	Insert material	PPS, 耐高温260 C	PPS, max temperature 260 C
接触件	Contact material	铜(镀金)	Brass with gold plating
接线方式	Termination	焊接	Solder
接插次数	Mating cycle	500	
温度范围	Temperature range	-40C~+85C	
绝缘电阻	Insulation resistance	2000 MΩ	



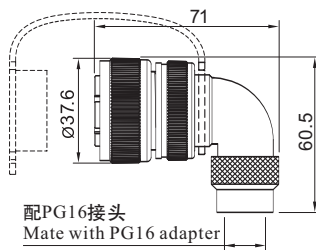
● **插座: Z IP65** Receptacle: Z IP65



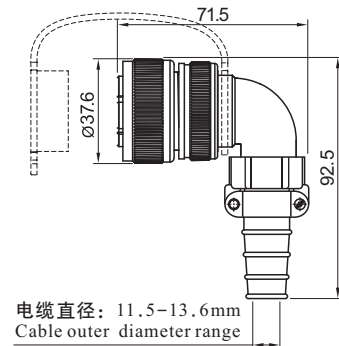
● **夹爪紧固插头: TU IP65**
Cable connector with clamping-nut: TU IP65



● **塑料软管插头: TW IP55**
Cable connector for plastic hose: TW IP55



● **电缆护套插头: TV IP65**
Cable connector with rubber sleeve: TV IP65



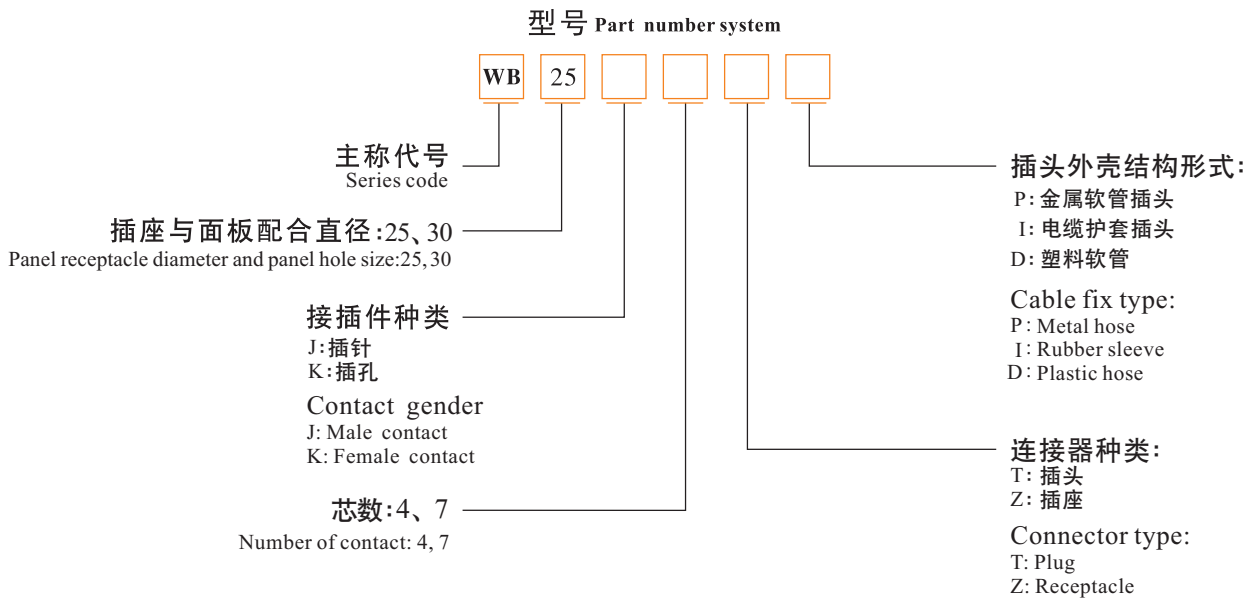
焊接芯件参数表

Solder contact spec

芯数 Number of contact	4	15
公端绝缘体正面图 Male contact face view		
额定电流 (A) Rated current (A)	50A、25A	10A
接触件直径 Contact diameter	Ø3.5×3、Ø2.5×1	Ø1.5×15
工作电压 (AC.V) Rated voltage (AC.V)	500	500
耐压 (AC.V) 1 min Test voltage(AC.V) 1 min	1500	1500
接触电阻 (MΩ) Contact resistance (MΩ)	1、0.5	2.5
线规 (mm ² /AWG) Wire size (mm ² /AWG)	≤10 / 7、≤4 / 11	≤2 / 14



● WB系列 WB Series

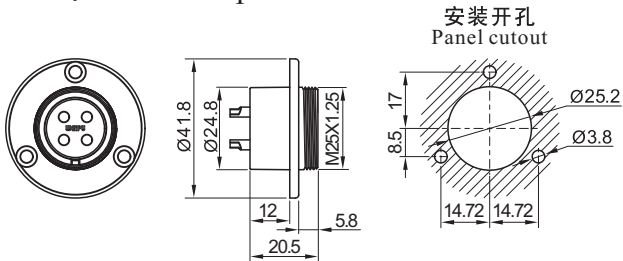


材料和技术参数 Material and spec

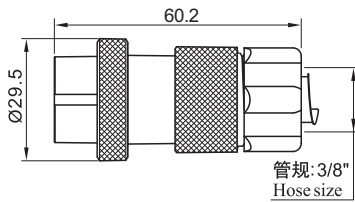
接插方式	Coupling	螺纹连接	Threaded
外壳材料	Shell material	锌合金 (镀铬)	Zinc alloy with chrome plating
绝缘体	Insert material	PPS, 耐高温260 C	PPS, max temperature 260°C
接触件材料	Contact material	铜(镀金)	Brass with gold plating
接线方式	Termination	焊接	Solder
接线次数	Mating cycle	500	
温度范围	Temperature range	-40°C ~ +85°C	
绝缘电阻	Insulation resistance	2000 MΩ	



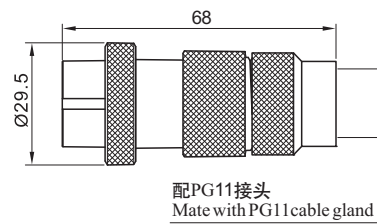
● 插座: Z Receptacle: Z



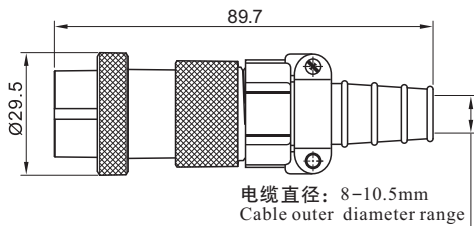
● 金属软管插头: TP Plug for metal-hose: TP



● 塑料软管插头: TD Plug for plastic hose: TD



● 电缆护套插头: TI Plug with rubber sleeve: TI

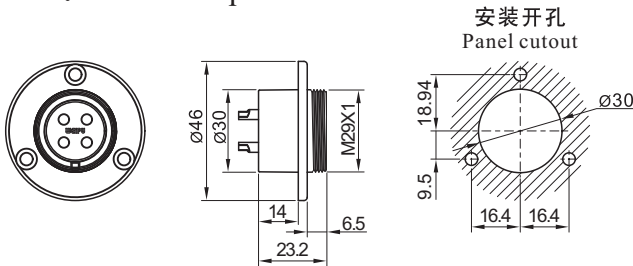


焊接芯件参数表 Solder contact spec

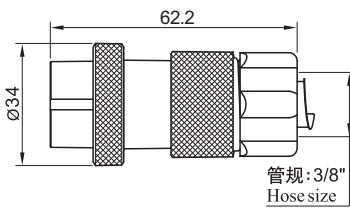
芯数 Number of contact	4
公端绝缘体正面图 Male contact face view	
额定电流 (A) Rated current (A)	25
接触件直径 Contact diameter	Ø2.5×4
工作电压 (AC.V) Rated voltage (AC.V)	500
耐压 (AC.V) 1 min Test voltage(AC.V) 1 min	1500
接触电阻 (MΩ) Contact resistance (MΩ)	1
线规 (mm²/AWG) Wire size (mm²/AWG)	≤ 4 / 11



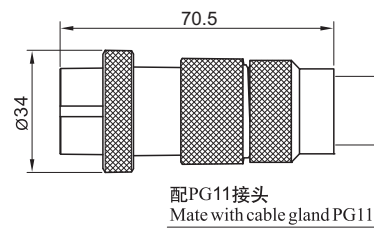
● 插座: Z Receptacle: Z



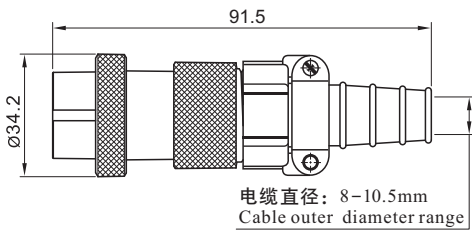
● 金属软管插头: TP Plug for metal-hose: TP



● 塑料软管插头: TD Plug for plastic hose: TD



● 电缆护套插头: TI Plug with rubber sleeve: TI



14

焊接芯件参数表 Solder contact spec

芯数 Number of contact	4	7
公端绝缘体正面图 Male contact face view		
额定电流 (A) Rated current (A)	30	25
接触件直径 Contact diameter	Ø3.5×4	Ø2.5×7
工作电压 (AC.V) Rated voltage (AC.V)	500	500
耐压 (AC.V) 1 min Test voltage (AC.V) 1 min	1500	1500
接触电阻 (MΩ) Contact resistance (MΩ)	1	2.5
线规 (mm ² /AWG) Wire size (mm ² /AWG)	≤4 / 11	≤2 / 14